

ADSS光缆用耐张线夹 (Helical Dead-end clamps for ADSS cable)

ADSS光缆耐张线夹主要用于ADSS光缆与耐张杆塔、转角杆塔及终端杆塔的连接。根据档距或光缆抗拉强度的大小,ADSS光缆耐张线夹分小跨距耐张线夹、中跨距及大跨距耐张线夹三种。

ADSS optical cable strain clamp is mainly used in the connection of ADSS optical cable with strain tower, corner tower and terminal tower. According to distance or tensile strength, ADSS optical cable strain clamp could be divided into three kinds, small span strain clamp, medium-span and big-span strain clamp.

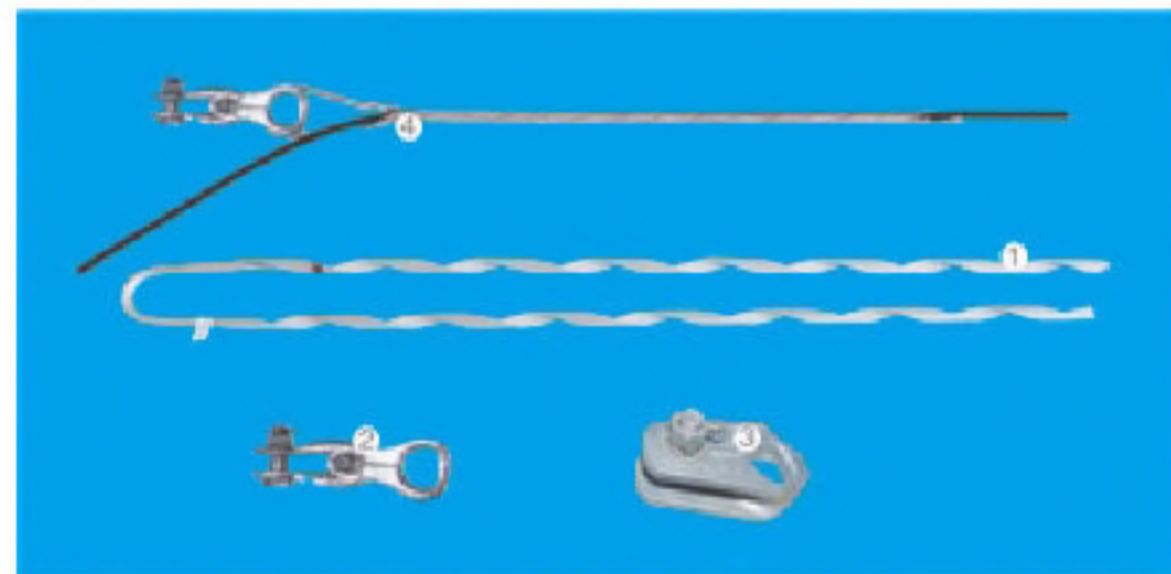
ADSS光缆用小跨距耐张线夹 (Dead-end for Short Span ADSS cable)

产品用途及特点 (Usage and characteristics)

小张力ADSS光缆耐张线夹材料为铝包钢丝或镀锌钢丝,主要用于档距不超过100米的耐张杆塔、转角杆塔、中间接续杆塔及终端杆塔的光缆连接。

ADSS optical cable strain clamp with small tension adopts aluminum clad steel wire or galvanized steel wire, which is mainly used in optical cable connection of strain tower, corner tower, middle connecting tower and terminal tower with distance not over 100m.

适用配件图 (Currency Assembly)



- 1、耐张线夹预绞丝 Dead-end Component
- 2、U型环 U-Clevis
- 3、心形环 Thimble
- 4、ADSS自承式光缆 ADSS Cable

产品型号规格 (Specification)

小跨距耐张线夹选型表 (Specification of short span dead-end for ADSS cable)

产品规格 Type	适用缆径 Available Dia. of Cable (mm)	预绞丝长度 Length of Dead-end Component (mm)	参考重量 Ref. Weight (kg)	配套连接件 Fitting	
				U型环	心型环
ANL015/0950	9.0-9.5	800	0.4	U-5	TC-050
ANL015/1050	9.6-10.5	850	0.5	U-5	TC-050
ANL015/1160	10.6-11.6	910	0.4	U-5	TC-050
ANL015/1280	11.7-12.8	960	0.7	U-5	TC-050
ANL015/1410	12.9-14.1	1080	0.83	U-5	TC-050
ANL015/1560	14.2-15.6	1160	1.23	U-5	TC-050
ANL015/1700	15.7-17.0	1160	1.23	U-5	TC-050

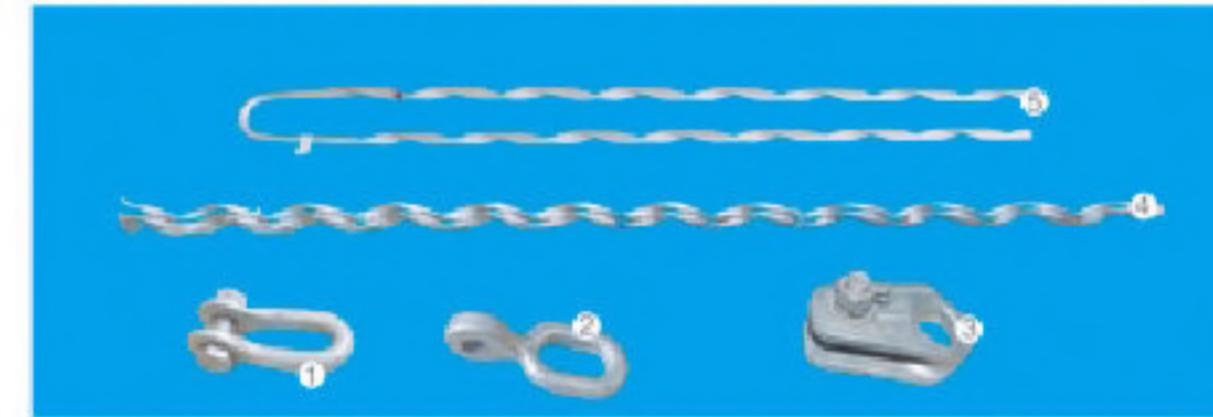
ADSS光缆用中跨距及大跨距耐张线夹 (Dead-end for Medium/Long Span ADSS cable)

产品用途及特点 (Usage and characteristics)

中跨距及大跨距ADSS光缆用预绞式耐张线夹材料为铝包钢丝或镀锌钢丝,主要用于档距200米以上的耐张杆塔、转角杆塔及终端杆塔等光缆线路上。中跨距耐张线夹一般用于200~400米内档距的线路,大跨距耐张用于400米以上档距的线路。

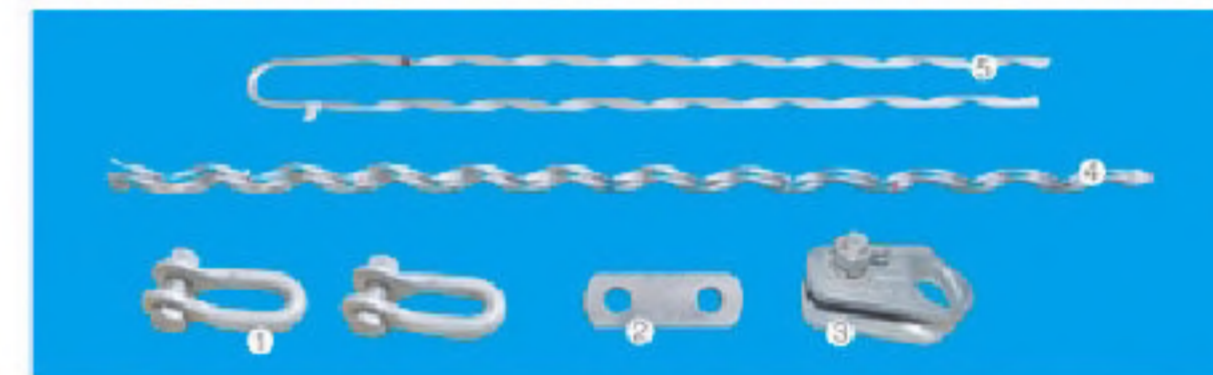
ADSS optical cable helical strain clamp with medium span and big span adopts aluminum clad steel wire or galvanized steel wire, which is mainly used in optical cable line of strain tower, corner tower and terminal tower. In general, the medium span strain clamp is used in the line with internal span of 200-400m; the big span strain clamp is used in the line with span over 400m.

中跨距耐张线夹适用配件图 (Dead-end configuration for medium span ADSS)



- 1、U形环 U-Clevis
- 2、直角挂环 Eye Chain Link (Type ZH)
- 3、心形环 Thimble
- 4、内层预绞丝 Structural Reinforcing Rods
- 5、外层预绞丝 Dead-end Component

大跨距耐张线夹适用配件图 (Dead-end configuration for long span ADSS)



- 1、U形环 U-Clevis
- 2、PD挂板 PD-Link
- 3、心形环 Thimble Clevis
- 4、内层预绞丝 Structural Reinforcing Rods
- 5、外层预绞丝 Dead-end Component

产品型号规格 (Specification)

ADSS光缆用中跨距及大跨距耐张线夹选型表 (Specification of medium/long span dead-end for ADSS cable)

产品规格 Type	适用缆径 Available Dia. of Cable (mm)	外层长度 Length of Outer Rods (mm)	内层长度 Length of Structural Reinforcing Rods (mm)	参考重量 Ref. Weight (kg)	参考档距 Reference Span (m)	通用配件		
						U型环	直角环	心型环
ANZ020/1010	9.5-10.1	800	1100	1.0	200-300	U-5	ZH-4	TC-050
ANZ020/1070	10.2-10.7	800	1100	1.1	200-300	U-5	ZH-4	TC-050
ANZ020/1140	10.8-11.4	800	1100	1.1	200-300	U-5	ZH-4	TC-050
ANZ020/1220	11.5-12.2	800	1100	1.4	200-300	U-5	ZH-4	TC-050
ANZ020/1290	12.3-12.9	800	1100	1.4	200-300	U-5	ZH-4	TC-050
ANZ020/1370	13.0-13.7	800	1100	1.5	200-300	U-5	ZH-4	TC-050
ANZ020/1460	13.8-14.6	800	1100	1.6	200-300	U-5	ZH-4	TC-050
ANZ020/1550	14.7-15.5	800	1100	1.6	200-300	U-5	ZH-4	TC-050
ANZ030/0940	8.6-9.4	1100	1400	1.2	300-400	U-5	ZH-4	TC-050
ANZ030/1010	9.5-10.1	1100	1400	1.4	300-400	U-5	ZH-4	TC-050

产品规格 Type	适用缆径 Available Dia. of Cable (mm)	外层长度 Length of Outer Rods (mm)	内层长度 Length of Structural Reinforcing Rods (mm)	参考重量 Ref. Weight (kg)	参考档距 Reference Span (m)	通用配件		
						U型环	直角环	心型环
ANZ030/1070	10.2-10.7	1100	1400	1.4	300-400	U-5	ZH-4	TC-050
ANZ030/1140	10.8-11.4	1100	1400	1.4	300-400	U-5	ZH-4	TC-050
ANZ030/1220	11.5-12.2	1100	1400	1.8	300-400	U-5	ZH-4	TC-050
ANZ030/1290	12.3-12.9	1100	1400	1.8	300-400	U-5	ZH-4	TC-050
ANZ030/1370	13.0-13.7	1100	1400	2.0	300-400	U-5	ZH-4	TC-050
ANZ030/1460	13.8-14.6	1100	1400	2.1	300-400	U-5	ZH-4	TC-050
ANZ030/1550	14.7-15.5	1100	1400	2.1	300-400	U-5	ZH-4	TC-050
ANZ040/1220	11.5-12.2	1260	1800	2.1	400-500	2XU-7	PD-7	TC-07
ANZ040/1290	12.3-12.9	1260	1800	2.2	400-500	2XU-7	PD-7	TC-07
ANZ040/1370	13.0-13.7	1260	1800	2.5	400-500	2XU-7	PD-7	TC-07
ANZ040/1460	13.8-14.6	1260	1800	2.5	400-500	2XU-7	PD-7	TC-07
ANZ040/1550	14.7-15.5	1260	1800	2.6	400-500	2XU-7	PD-7	TC-07
ANZ040/1650	15.6-16.5	1260	1800	2.9	400-500	2XU-7	PD-7	TC-07
ANZ050/1370	13.0-13.7	1400	2010	2.7	500-700	2XU-7	PD-7	TC-07
ANZ050/1460	13.8-14.6	1400	2010	2.8	500-700	2XU-7	PD-7	TC-07
ANZ050/1550	14.7-15.5	1400	2010	2.8	500-700	2XU-7	PD-7	TC-07
ANZ050/1650	15.6-16.5	1400	2010	3.2	500-700	2XU-7	PD-7	TC-07
ANZ060/1370	13.0-13.7	1560	2210	3.0	600-800	2XU-7	PD-7	TC-07
ANZ060/1460	13.8-14.6	1560	2210	3.1	600-800	2XU-7	PD-7	TC-07
ANZ060/1550	14.7-15.5	1560	2210	3.1	600-800	2XU-7	PD-7	TC-07
ANZ060/1650	15.6-16.5	1560	2210	3.6	600-800	2XU-7	PD-7	TC-07
ANZ070/1460	13.8-14.6	1600	2410	3.2	700-900	2XU-7	PD-7	TC-07
ANZ070/1550	14.7-15.5	1600	2410	3.3	700-900	2XU-7	PD-7	TC-07
ANZ070/1650	15.6-16.5	1600	2410	3.8	700-900	2XU-7	PD-7	TC-07
ANZ070/1750	16.6-17.5	1600	2410	4.1	700-900	2XU-7	PD-7	TC-07
ANZ070/1870	17.6-18.7	1600	2410	4.6	700-900	2XU-7	PD-7	TC-07
ANZ080/1550	14.7-15.5	2010	3020	4.1	800-1000	2XU-10	PD-10	TC-10
ANZ080/1650	15.6-16.5	2010	3020	4.7	800-1000	2XU-10	PD-10	TC-10
ANZ080/1750	16.6-17.5	2010	3020	5.2	800-1000	2XU-10	PD-10	TC-10
ANZ080/1870	17.6-18.7	2010	3020	5.8	800-1000	2XU-10	PD-10	TC-10
ANZ100/1650	15.6-16.5	2810	4020	7.0	1000	2XU-10	PD-10	TC-10
ANZ100/1750	16.6-17.5	2810	4020	7.2	1000	2XU-10	PD-10	TC-10
ANZ100/1870	17.6-18.7	2810	4020	7.9	1000	2XU-10	PD-10	TC-10

※为保证线路安全，在线路设计和使用过程中，当档距在1000米以上，或光缆线路荷载较大的情况下，请与本公司联系，我们将根据线路具体情况提供特殊设计或咨询服务。

※ In order to ensure the line safety, in the process of line design and use, please contact our company if the span is over 1000m, or the load of optical cable is bigger, we will provide special design or consultant service according to the specific conditions of line.

ADSS光缆悬垂线夹 Helical Suspension Set for ADSS

ADSS光缆悬垂线夹用于光缆在直线杆塔上的悬挂和支撑。线夹用于传递轴向载荷，并分散径向压应力，对光缆起到良好的保护作用，避免光缆产生过小的弯曲半径和应力集中的异常情况发生。线夹握力大于光缆额定抗拉强度的18%，具有优异的抗疲劳性，并对ADSS光缆起到辅助减振的作用。

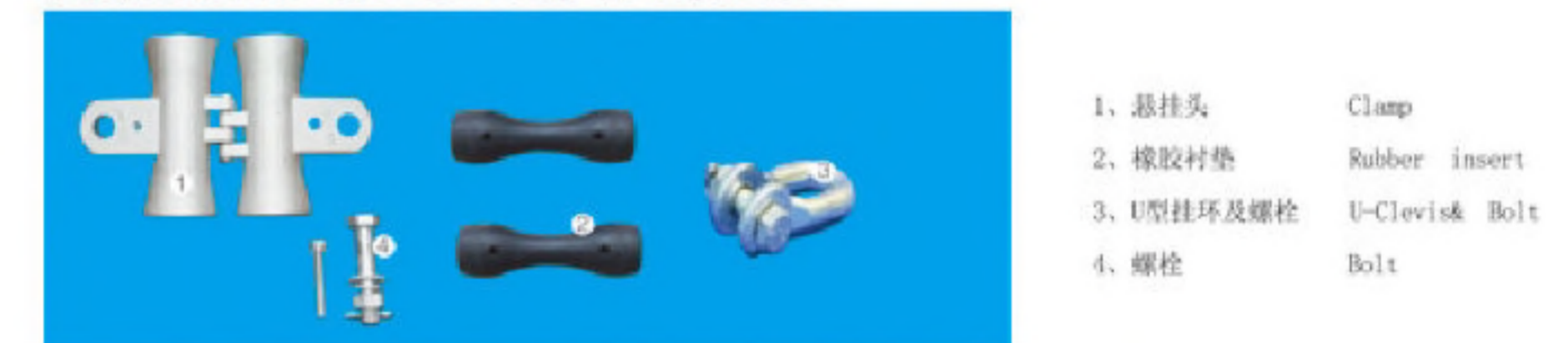
ADSS optical cable suspension clamp is used for hanging and supporting optical cable on the suspension tower. The clamp will transmit axial load and disperse radial stress press and make good protection for optical cable and avoid the abnormal status, such as the optical cable produce too small bend radius and stress concentration. The grip of clamp is larger than 18% of rated tensile strength of optical cable. It has excellent fatigue resistance and auxiliary damping effect for ADSS optical cable. ADSS光缆悬垂线夹根据线路跨距大小分切线线夹、单层预绞丝切线线夹、单悬垂线夹和双悬垂线夹等几种。ADSS optical cable suspension clamp is divided into tangent clamp, single-layer helical armor rods tangent clamp, single suspension clamp and double suspension clamp etc according to size of line span.

ADSS 光缆用切线线夹和单层预绞丝切线线夹 (Tangent and Single layer Helical Rods Suspension set for ADSS)

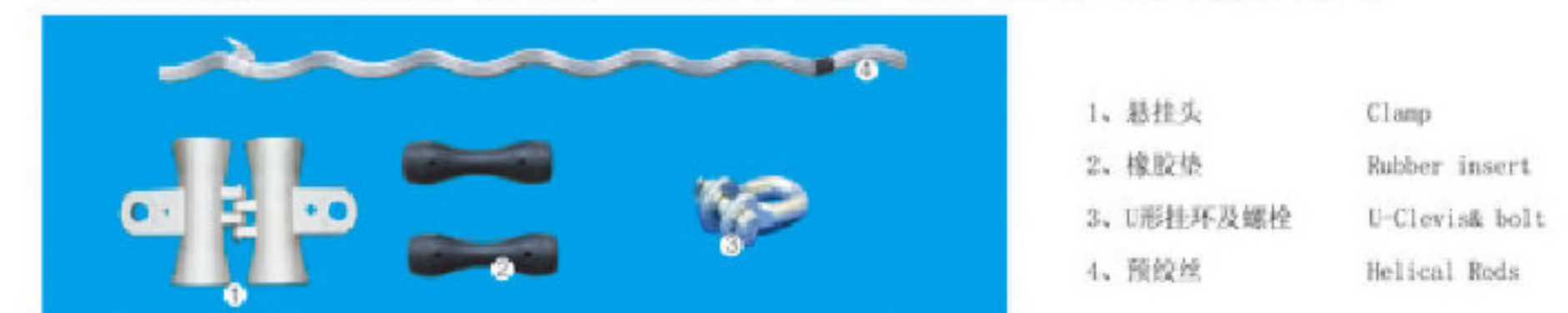
产品用途及特点 (Usage and characteristics)

ADSS光缆用切线线夹主要用于100m档距内的光缆架设，单层预绞丝悬垂线夹主要用于100m-200m档距内的光缆架设。ADSS optical cable tangent clamp is mainly used in optical cable erecting within distance of 100m. Single helical armor suspension clamp is mainly used in optical cable within distance of 100m-200m.

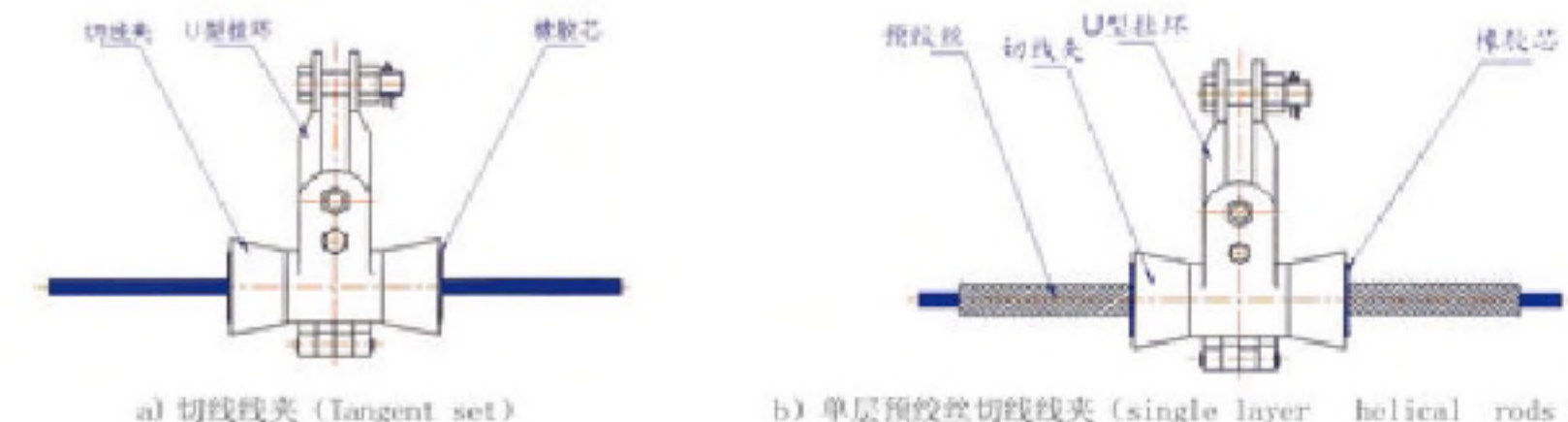
切线线夹通用配件图 (Currency fittings of Tangent set)



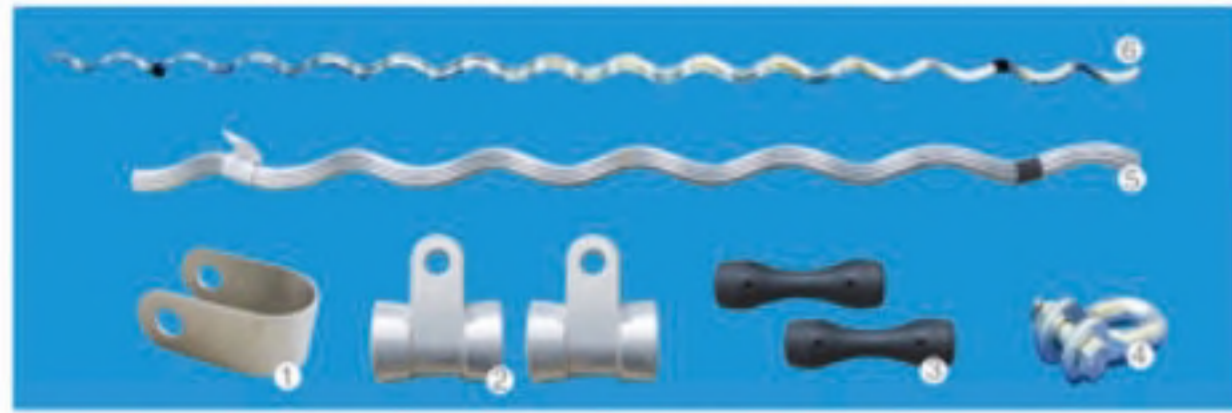
单层预绞丝切线线夹通用配件图 (Currency fittings of single layer helical rods Tangent set)



产品组装示意图 (Sketch of Assembly)

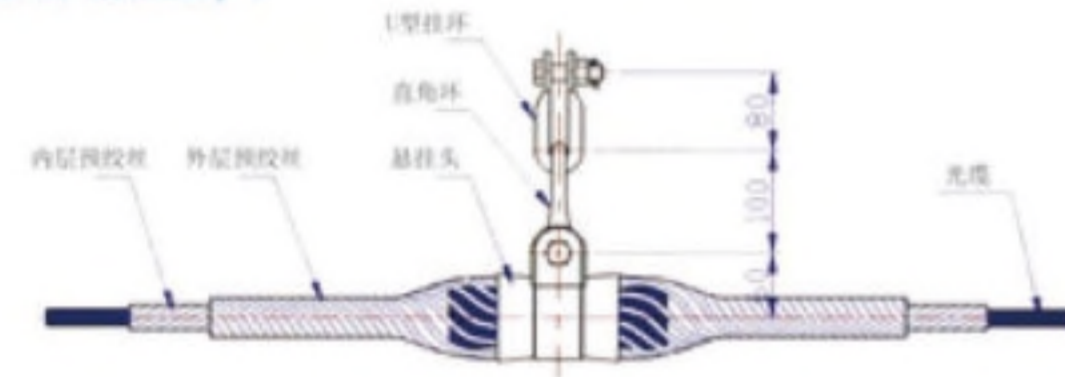


ADSS光缆双层预绞丝悬垂线夹通用配件图 (Currency fittings of two layers Helical Suspension Set)



- 1、U型卡 U-clip
- 2、悬挂头 Suspension Clamp
- 3、橡胶垫 Rubber pillow
- 4、U型挂板 U-Clevis
- 5、外层预绞丝 Outer rods
- 6、内层预绞丝 Structural Reinforcing Rods

产品组装示意图 (Sketch of Assembly)



双层预绞丝悬垂线夹 (Two layers Single point Helical Suspension Set)

ADSS光缆预绞丝悬垂线夹产品型号规格 (Specification for two layers helical Suspension Set)

ADSS光缆用悬垂线夹选型表 (Specification for two layers helical Suspension Set)

产品规格 Type	适用缆径 Available Dia. of Cable (mm)	外层长度 Length of outer rods (mm)	内层长度 Length of Reinforcing Rods (mm)	参考重量 Ref. Weight (kg)	色标 Color code	适用档距 Available Dia of Span(m)
ACL300/0960	9.0-9.6	1040	1600	1.2	蓝BU	200-300
ACL300/1010	9.7-10.1	1040	1600	1.2	绿GR	200-300
ACL300/1060	10.2-10.6	1040	1600	1.2	橙BR	200-300
ACL300/1110	10.7-11.1	1040	1600	1.2	红RE	200-300
ACL300/1160	11.2-11.6	1040	1600	1.3	黑BK	200-300
ACL300/1170	11.7-11.7	1100	1700	1.7	黄YE	200-300
ACL300/1200	11.8-12.0	1100	1700	1.9	紫PU	200-300
ACL300/1270	12.1-12.7	1100	1700	1.9	蓝BU	200-300
ACL300/1290	12.8-12.9	1100	1700	2.0	绿GR	200-300
ACL300/1360	13.0-13.6	1100	1700	2.2	橙BR	200-300
ACL300/1410	13.7-14.1	1250	1800	2.2	红RE	200-300
ACL300/1430	14.2-14.3	1250	1800	2.2	黑BK	200-300
ACL300/1450	14.4-14.5	1250	1800	2.3	黄YE	200-300
ACL300/1510	14.6-15.1	1250	1800	2.4	紫PU	200-300
ACL400/0960	9.0-9.6	1070	1720	1.2	蓝BU	300-400
ACL400/1010	9.7-10.1	1070	1720	1.2	绿GR	300-400
ACL400/1060	10.2-10.6	1070	1720	1.3	橙BR	300-400
ACL400/1110	10.7-11.1	1070	1720	1.3	红RE	300-400
ACL400/1160	11.2-11.6	1090	1720	1.4	黑BK	300-400
ACL400/1170	11.7-11.7	1250	1850	1.8	黄YE	300-400

产品规格 Type	适用缆径 Available Dia. of Cable (mm)	外层长度 Length of outer rods (mm)	内层长度 Length of Reinforcing Rods (mm)	参考重量 Ref. Weight (kg)	色标 Color code	适用档距 Available Dia of Span(m)
ACL400/1200	11.8-12.0	1250	1850	1.9	紫PU	300-400
ACL400/1270	12.1-12.7	1250	1850	1.9	蓝BU	300-400
ACL400/1290	12.8-12.9	1250	1850	2.1	绿GR	300-400
ACL400/1360	13.0-13.6	1250	1850	2.3	橙BR	300-400
ACL400/1410	13.7-14.1	1310	1850	2.3	红RE	300-400
ACL400/1430	14.2-14.3	1310	1850	2.5	黑BK	300-400
ACL400/1450	14.4-14.5	1310	1850	2.5	黄YE	300-400
ACL400/1510	14.6-15.1	1310	1850	2.5	紫PU	300-400
ACL500/1270	12.1-12.7	1400	2000	2.0	蓝BU	400-500
ACL500/1290	12.8-12.9	1400	2000	2.2	绿GR	400-500
ACL500/1360	13.0-13.6	1400	2000	2.3	橙BR	400-500
ACL500/1410	13.7-14.1	1310	1870	2.3	红RE	400-500
ACL500/1430	14.2-14.3	1310	1870	2.3	黑BK	400-500
ACL500/1450	14.4-14.5	1370	1950	2.5	黄YE	400-500
ACL500/1510	14.6-15.1	1370	1950	2.6	紫PU	400-500
ACL500/1580	15.2-15.8	1370	1950	2.6	蓝BU	400-500
ACL500/1600	15.9-16.0	1430	2050	2.9	绿GR	400-500
ACL500/1690	16.1-16.9	1430	2050	2.9	橙BR	400-500
ACL600/1270	12.1-12.7	1310	1810	2.0	蓝BU	500-600
ACL600/1290	12.8-12.9	1310	1810	2.2	绿GR	500-600
ACL600/1360	13.0-13.6	1370	1930	2.3	橙BR	500-600
ACL600/1410	13.7-14.1	1370	1930	2.4	红RE	500-600
ACL600/1430	14.2-14.3	1370	1930	2.6	黑BK	500-600
ACL600/1450	14.4-14.5	1410	2010	2.6	黄YE	500-600
ACL600/1510	14.6-15.1	1410	2010	2.6	紫PU	500-600
ACL600/1580	15.2-15.8	1410	2010	2.6	蓝BU	500-600
ACL600/1600	15.9-16.0	1530	2130	2.9	绿GR	500-600
ACL600/1690	16.1-16.9	1530	2130	2.9	橙BR	500-600
ACL800/1430	14.2-14.3	1470	2080	2.7	黑BK	700-800
ACL800/1450	14.4-14.5	1470	2130	2.8	黄YE	700-800
ACL800/1510	14.6-15.1	1470	2130	2.8	紫PU	700-800
ACL800/1580	15.2-15.8	1470	2130	2.8	蓝BU	700-800
ACL800/1600	15.9-16.0	1590	2210	3.0	绿GR	700-800
ACL800/1690	16.1-16.9	1590	2210	3.0	橙BR	700-800
ACL800/1730	17.0-17.3	1590	2210	3.3	红RE	700-800
ACL800/1800	17.4-18.0	1570	2210	3.3	黑BK	700-800
ACL1000/1580	15.2-15.8	1570	2350	3.0	蓝BU	900-1000
ACL1000/1600	15.9-16.0	1680	2600	3.4	绿GR	900-1000
ACL1000/1690	16.1-16.9	1680	2600	3.4	橙BR	900-1000
ACL1000/1730	17.0-17.3	1680	2600	3.6	红RE	900-1000
ACL1000/1800	17.4-18.0	1680	2600	3.6	黑BK	900-1000
ACL1000/1880	18.1-18.8	1680	2600	4.7	黄YE	900-1000

ADSS光缆用双悬垂线夹 (Double points Suspension Set for ADSS cable)

产品用途及特点 (Usage and characteristics)

ADSS光缆双悬垂线夹主要用于光缆在高落差, 以及档距大于800米或线路角度小于30° 时的直线塔的悬挂和支撑。

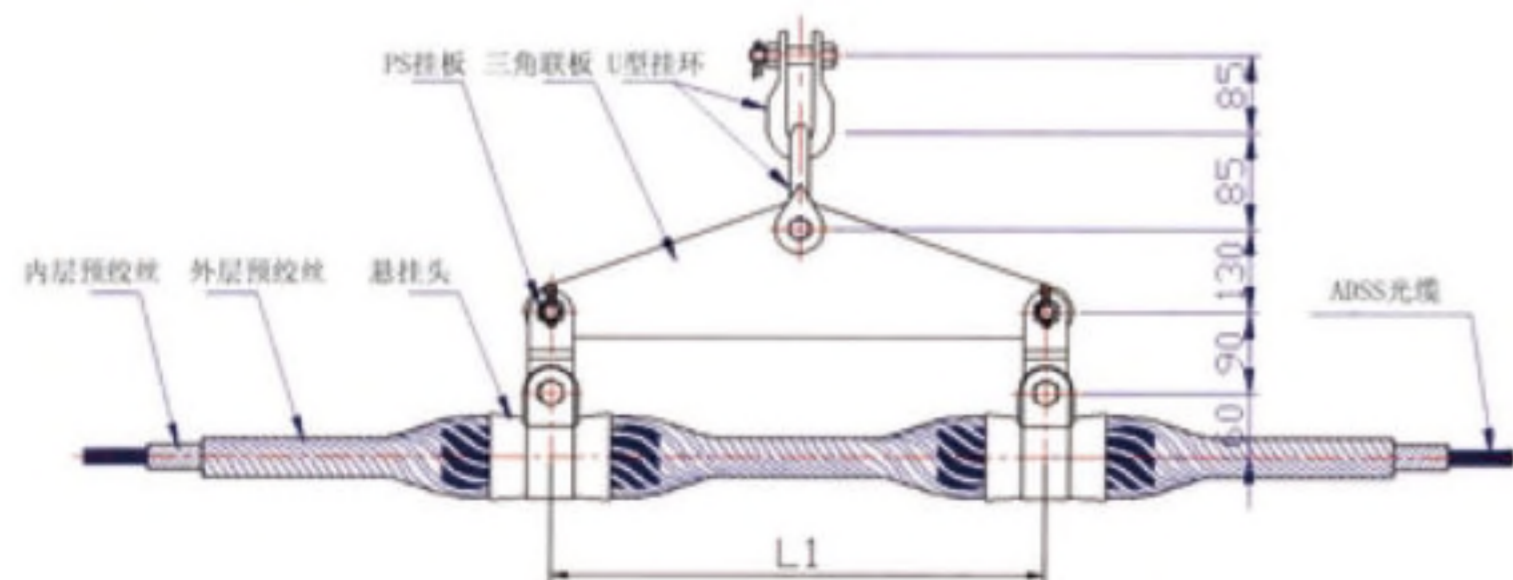
Double Points Suspension Set for ADSS is mainly used for large height difference, span more than 800 meters or unilateral overhang angle is less than 30° line tower connection.

通用配件图 (Currency fittings)



- | | | | |
|--------|--------------------|---------|-----------------------------|
| 1、U型卡 | U-clip | 5、PS挂板 | PS-link |
| 2、悬挂头 | Clamp | 6、U型挂板 | U-clevis |
| 3、橡胶垫 | Rubber pillow | 7、外层预绞丝 | Outer rods |
| 4、三角联板 | Yoke Plate Shackle | 8、内层预绞丝 | Structural Reinforcing Rods |

产品组装示意图 (Sketch of assembly for two layers Double-points suspension set)



预绞丝双悬垂线夹
(Assembly for two layers Double-points suspension set)

产品型号规格 (Specification)

ADSS光缆用双悬垂线夹选型表 (Specification of Double-points suspension set for ADSS cable)

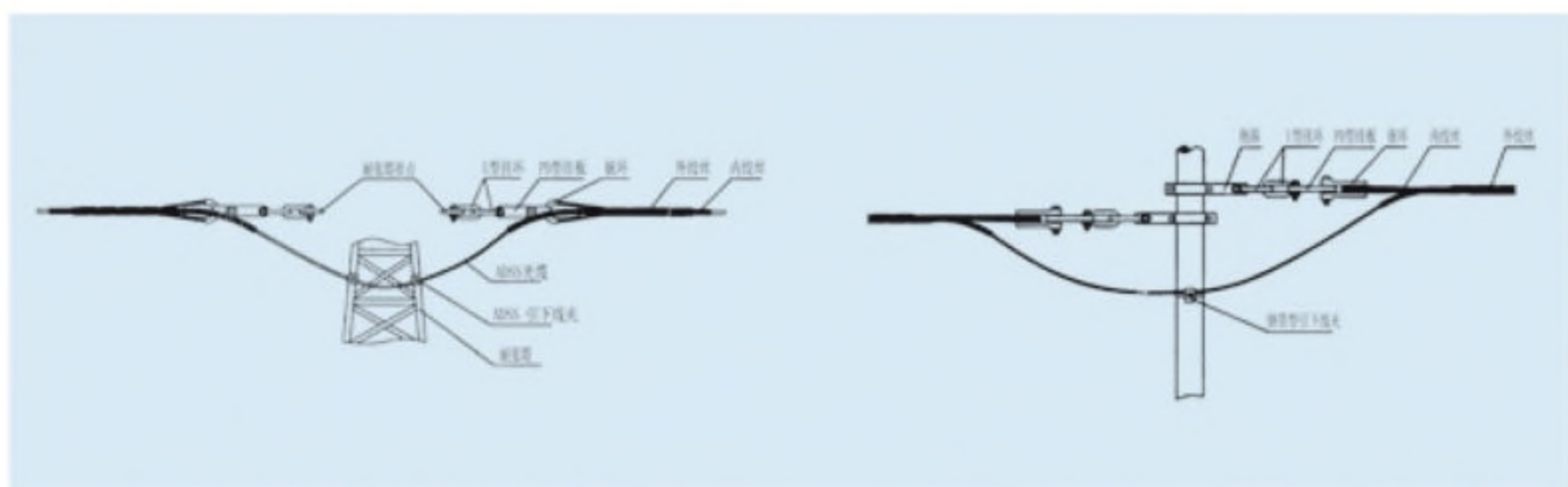
产品规格 Type	适用线径 Available Dia. of Cable (mm)	外层长度 Length of outer rods (mm)	内层长度 Length of Reinforcing Rods (mm)	色标 Color code	参考重量 Ref. Weight (kg)
ACLS 0960	9.0-9.6	1810	2210	蓝BU	1.9
ACLS 1010	9.7-10.1	1810	2210	绿GR	1.9
ACLS 1060	10.2-10.6	1810	2210	橙BR	1.9
ACLS 1110	10.7-11.1	1810	2210	红RE	1.9
ACLS 1160	11.2-11.6	1810	2210	黑BK	2.0
ACLS 1170	11.7-11.7	1810	2210	黄YE	2.7
ACLS 1200	11.8-12.0	1910	2410	紫PU	2.9
ACLS 1270	12.1-12.7	1910	2410	蓝BU	2.9
ACLS 1290	12.8-12.9	1910	2410	绿GR	3.2
ACLS 1360	13.0-13.6	1910	2410	橙BR	3.2
ACLS 1410	13.7-14.1	2110	2710	红RE	3.5
ACLS 1430	14.2-14.3	2110	2710	黑BK	3.8
ACLS 1450	14.4-14.5	2110	2710	黄YE	3.8
ACLS 1510	14.6-15.1	2110	2710	紫PU	3.8
ACLS 1580	15.2-15.8	2110	2710	蓝BU	3.8
ACLS 1600	15.9-16.0	2110	2710	绿GR	3.9
ACLS 1690	16.1-16.9	2410	3010	橙BR	4.4
ACLS 1730	17.0-17.3	2410	3010	红RE	4.8
ACLS 1800	17.4-18.0	2410	3010	黑BK	4.8
ACLS 1880	18.1-18.8	2410	3010	黄YE	6.3

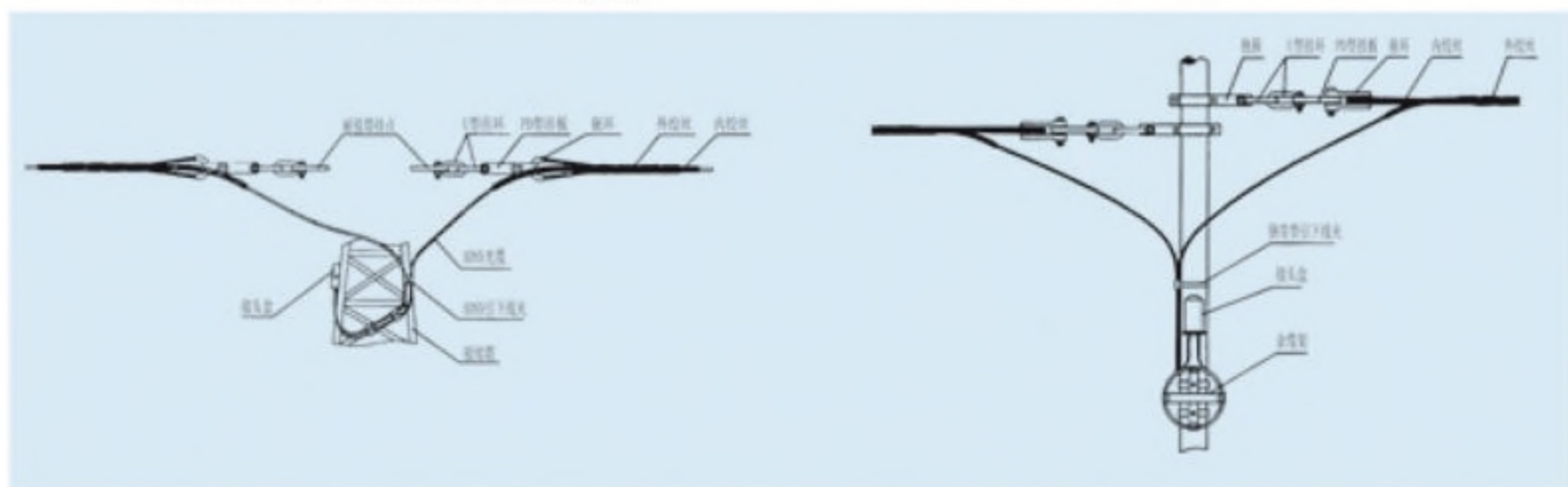




ADSS光缆耐张线夹在终端杆塔上的安装示意图

ADSS optical cable strain clamp on the terminal tower installation diagram


 ADSS光缆耐张线夹在耐张塔上的安装示意图
ADSS optical cable strain clamp on the strain tower installation diagram

 ADSS光缆耐张线夹在耐张杆上的安装示意图
ADSS optical cable strain clamp on the strain pole installation diagram

 ADSS光缆耐张线夹在接续塔上的安装示意图
ADSS optical cable strain clamp on the connection tower installation diagram

 ADSS光缆耐张线夹在接续杆上的安装示意图
ADSS optical cable strain clamp on the connection pole installation diagram

OPGW 光缆耐张线夹 Helical Dead-end for OPGW

预绞式耐张线夹主要用于光缆在耐张杆塔、转角杆塔及终端杆塔的连接。线夹材料为铝包钢丝或镀锌钢丝，耐腐蚀性好；线材具有良好的机械和电气性能，以保证线夹具有较强的抗电化学腐蚀的能力和抗疲劳性；线夹握力不小于光缆额定抗拉强度的95%。预绞式耐张线夹具有安装简单、方便、快捷，无需任何专用工具，一人即可完成操作，可大大缩短施工时间，提高施工效率，降低施工成本，线夹的安装质量容易得到保证，现场用肉眼即可进行检验，不需专门训练。整套预绞式耐张线夹包括：外层预绞丝、内层预绞丝、配套连接件、接地线等。

Helical strain clamp is mainly used in the connection of optical cable with strain tower, corner tower and terminal tower. The material of clamp is aluminum clad steel wire or galvanized steel wire with good corrosion resistance; the wire has good mechanical and electrical properties for ensuring the clamp has stronger electrochemical corrosion resistance and anti-fatigue. The clamp grip is not smaller than 95% of rated tensile strength of optical cable. Helical strain clamp has characteristics of easy installation, simple and rapid, no special tool required, only one person could finish the operation; It could shorten the construction time greatly, improve the operating efficiency and reduce the operation cost. It is very simple to ensure the installation quality of clamp, inspect with naked eyes on the spot and special training not required. The whole complete set of helical strain clamp includes: external-layer helical armor rods, internal-layer helical armor rods, assorted connector and ground wire etc.

OPGW光缆耐张线夹 (Single Helical Dead-end for OPGW)

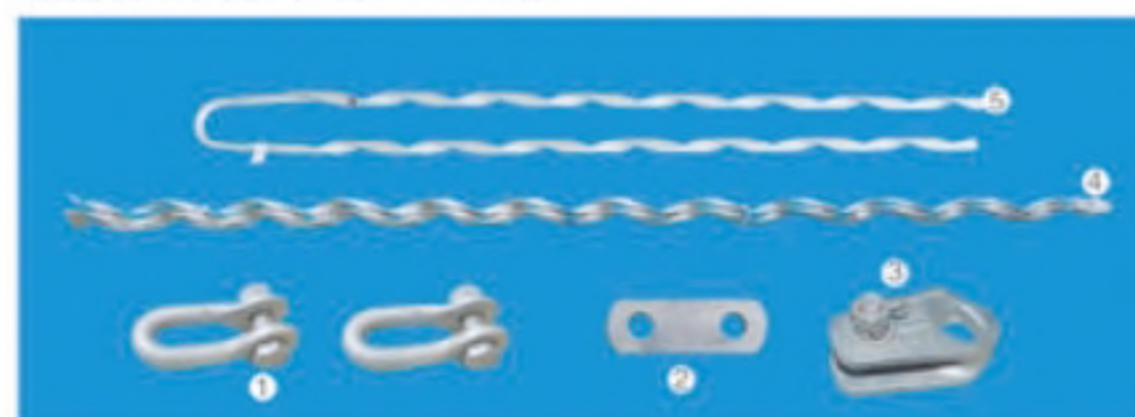
产品用途及特点 (Usage and characteristics)

OPGW光缆用耐张线夹主要用于破断强度在160KN及以下的光缆与耐张杆塔、转角杆塔及终端杆塔的连接。整套OPGW光缆耐张线夹包括外层预绞丝、内层预绞丝及配套连接件和接地线。

OPGW optical cable strain clamp is mainly used in the connection between optional cable with breaking strength below 160KN with strain tower, corner tower and terminal tower.

The whole complete set of OPGW optical cable strain clamp includes: external-layer helical armor rods, internal-layer helical armor rods, assorted connector and ground wire etc.

通用配件图 (Currency fittings)



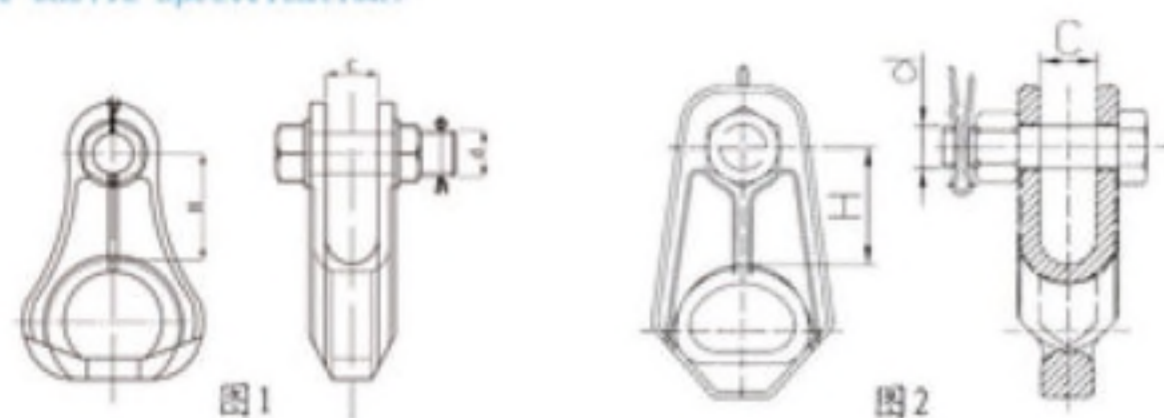
- | | |
|---------|-----------------------------|
| 1、U形环 | U-Clevis |
| 2、PD挂板 | PD-Clevis |
| 3、心形环 | Thimble Clevis |
| 4、内层预绞丝 | Structural Reinforcing Rods |
| 5、外层预绞丝 | Dead-end Component |
| 6、接地线夹 | Grounding Clamps |

产品型号规格 (Specification)

OPGW耐张线夹选型表 (Specification of dead-end for OPGW)

产品规格 Type	适用缆径 Available Dia. of Cable		绞丝长度 Length of helical wire		参考重量 Ref. Weight (kg)	破断强度 Devastating strength (kN)
	最小Min. (mm)	最大Max. (mm)	内层Inner (mm)	外层Outer (mm)		
ONZ070/0880	7.9	8.8	1400	1000	1.2	70
ONZ070/1010	8.9	10.1	1400	1000	1.3	70
ONZ100/1140	10.2	11.4	1540	1120	1.7	100
ONZ100/1280	11.5	12.8	1620	1200	2.4	100
ONZ120/1410	12.9	14.1	1660	1240	2.6	100
ONZ120/1550	14.2	15.5	1840	1350	2.9	120
ONZ120/1730	15.6	17.3	2000	1480	3.6	120
ONZ160/1920	17.4	19.2	2410	1800	4.7	160
ONZ160/2110	19.3	21.1	2610	2010	5.2	160

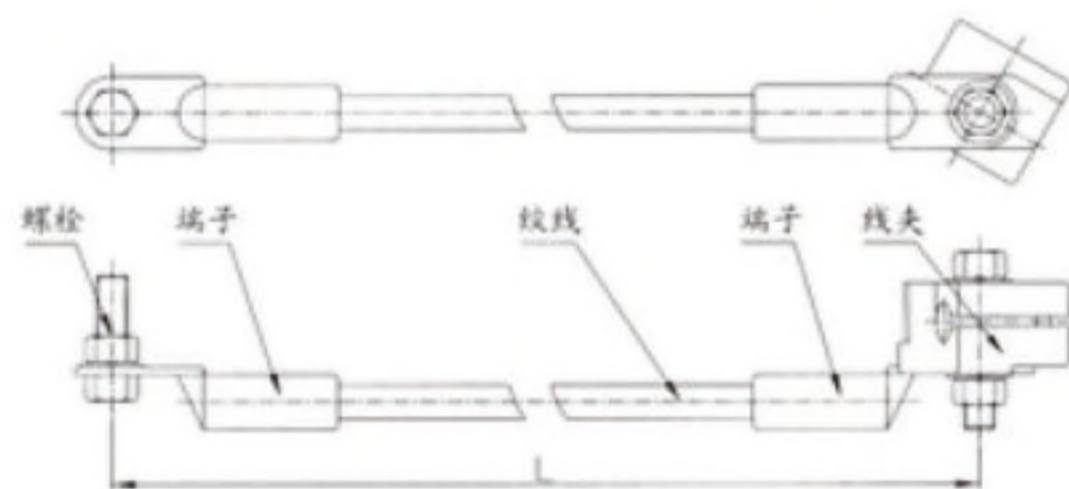
心形环规格 (Thimble Clevis Specification)



心形环型号及规格 (Specification of Thimble Clevis)

型号 Type	图例 Drawing No.	主要尺寸 Main dimensions (mm)			破坏载荷 Devastating Load (KN)	重量 Weight (kg)
		H	c	d		
TC 50	1	51	18	M16	50	0.50
TC 70	2	40	23	M16	70	0.90
TC 120	2	50	24	M16	120	1.30
TC 160	2	62	28	M18	160	1.70

接地线夹 (Grounding Wire Clamps)



接地线夹的型号、规格 (Specification of grounding wire clamps)

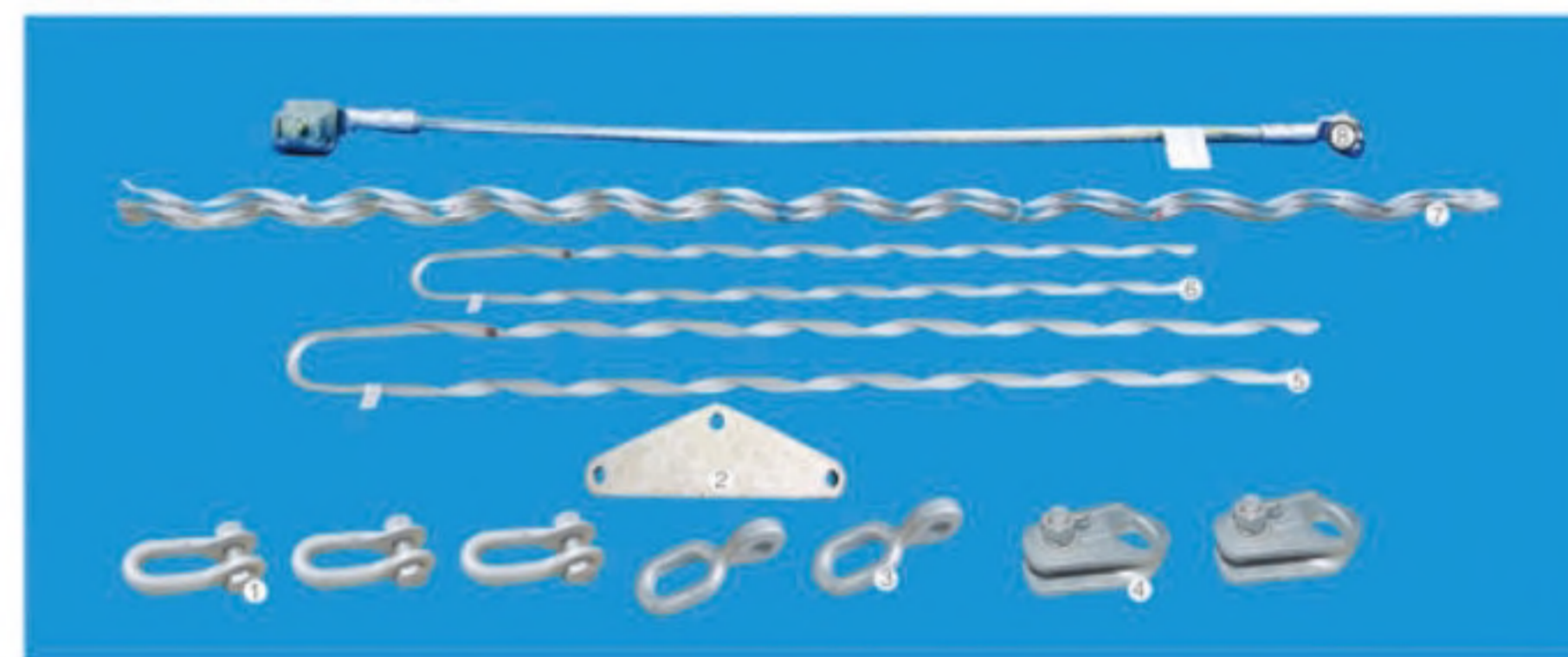
型号 Type	绞线直径(截面积) Wire diameter/Sectional area (mm/mm ²)	适用线径 Apply to OPGW Dia. (mm)	配置 Configuration		重量 Weight (kg)
			接地线长度 Grounding wire Clamps Length (mm)	线夹型号 Set Type	
0JD70/1500	11.40/ 79.39	7.8-11.6	1500	D-116	0.95
0JD70/2000			2000		1.09
0JD95/1500	13.61/ 109.72	11.7-15.0	1500	D-150	1.11
0JD95/2000			2000		1.30
0JD150/1500	16.00/ 152.80	15.1-18.0	1500	D-180	1.56
0JD150/2000			2000		1.82

OPGW光缆双耐张线夹 (Double Helical Dead-end for OPGW)

产品用途及特点 (Usage and characteristics)

当OPGW光缆应用在大跨距、高落差、大转角等特殊设计运行线路中时,可采用双耐张线夹。预绞式双耐张线夹采用内层、中层和外层三层预绞丝设计。该结构极大提高了线夹的抗拉强度,且不受线路转角等条件限制。整套线夹包括预绞丝、接地线和配套连接件等。
When OPGW optical cable applied in the special designed power line with big distance, high fall and large angle, double strain clamps could be used. Helical double strain clamp adopts internal-layer, medium layer and external layer helical armor rod design. This structure improved tensile strength greatly and no limitation from line corner. The whole complete set of clamp includes: helical armor rods, ground wire and assorted connector etc.

通用配件图 (Currency fittings)



- | | | | |
|--------|--------------------------|---------|-----------------------------|
| 1、U形挂板 | U-Clevis | 5、中层预绞丝 | Middle Rods |
| 2、三角取板 | Yoke Plate Shackle | 6、外层预绞丝 | Dead-end Component |
| 3、直角挂环 | Eye Chain Link (Type ZH) | 7、内层预绞丝 | Structural Reinforcing Rods |
| 4、心形环 | Thimble Clevis | 8、接地线夹 | Grounding Wire Clamps |

产品型号规格 (Specification)

双耐张线夹选型表 (Specification of double layers dead-end for OPGW)

产品规格 Type	内层长度 Length of Structural Reinforcing Rods (mm)	中层长度 Length of Middle Rods (mm)	外层长度 Length of Outer Rods (mm)	参考重量 Ref. Weight (kg)	破断强度 Devastating strength (kN)
0NLS160/****	2400	1800	1600	14.5	160
0NLS210/****	2800	2200	2000	20.3	210
0NLS250/****	3100	2400	2200	26.5	250
0NLS320/****	3200	2600	2400	33.1	320

“****”代表适用线径范围 (****: Cable diameter application)

OPGW光缆用悬垂线夹 (Suspension Set for OPGW)

预绞式悬垂线夹用于光缆在直线杆塔上的悬挂和支撑。线夹用于传递轴向载荷，并分散径向压应力，对光缆起到良好的保护作用，避免光缆产生过小的弯曲半径和应力集中的异常情况发生。线夹握力大于光缆额定抗拉强度的18%，具有优异的抗疲劳性，对电力光缆还可起到辅助减振的作用。

Helical suspension clamp is used for hanging and supporting optical cable on the suspension tower. The clamp will transmit axial load and disperse radial stress press and make good protection for optical cable and avoid the abnormal status, such as the optical cable produce too small bend radius and stress concentration. The grip of clamp is larger than 18% of rated tensile strength of optical cable. It has excellent fatigue resistance and auxiliary damping effect for power optical cable.

OPGW光缆用悬垂线夹 (Suspension Set for OPGW)

产品用途及特点 (Usage and characteristics)

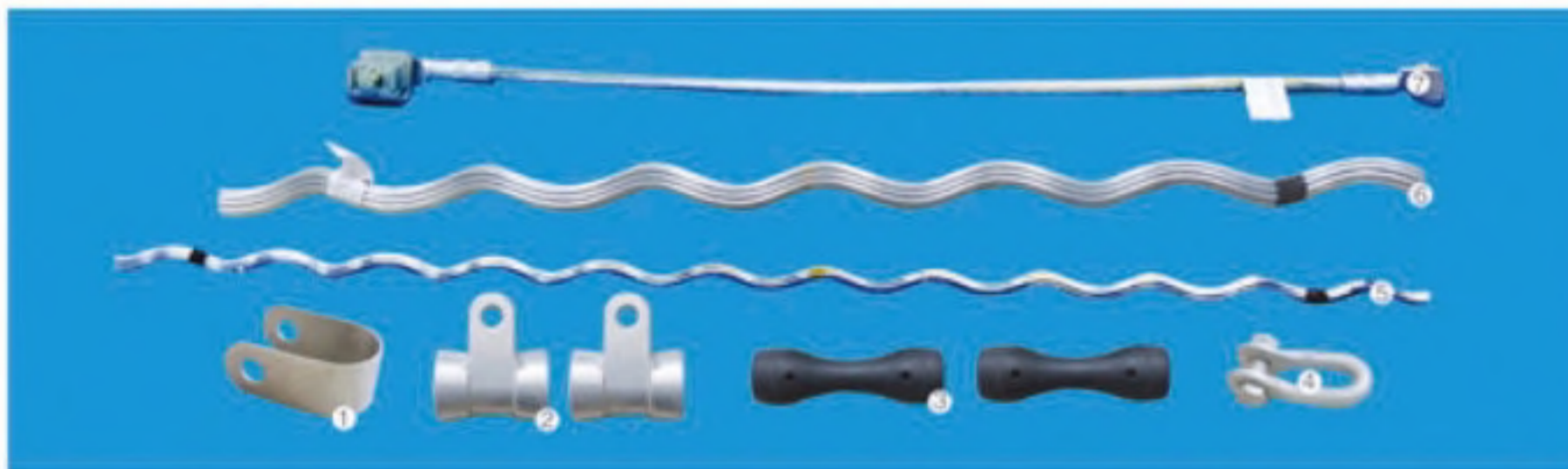
预绞式悬垂线夹由内外两层预绞丝、悬挂头和配套连接件组成。

预绞式悬垂线夹将悬挂点应力分散到整个预绞丝长度上，有效减小了OPGW光缆所受静态压力和微风振动引起的动态应力，避免OPGW光缆受损伤，大大提高了光缆抗疲劳特性，延长了光缆的使用寿命。

Helical suspension clamp consists of internal and external layer helical armor rods, hanging head and assorted connectors.

Helical suspension clamp will disperse stress of hanging point to the whole length of helical armor rods, which decrease static pressure received by OPGW optical cable effectively and dynamic stress caused from aeolian vibration, avoid damage of OPGW optical cable. It improves the fatigue resistance of optical cable greatly and prolong the service life of optical cable.

通用配件图 (Currency fittings)



1、U型卡 U-clip 2、悬挂头 Housing 3、橡胶垫 Rubber insert
 4、U形环 U-Clevis 5、内层预绞丝 Structural Reinforcing Rods 6、外层预绞丝 Outer rod
 7、接地线夹 Grounding wire Clamps

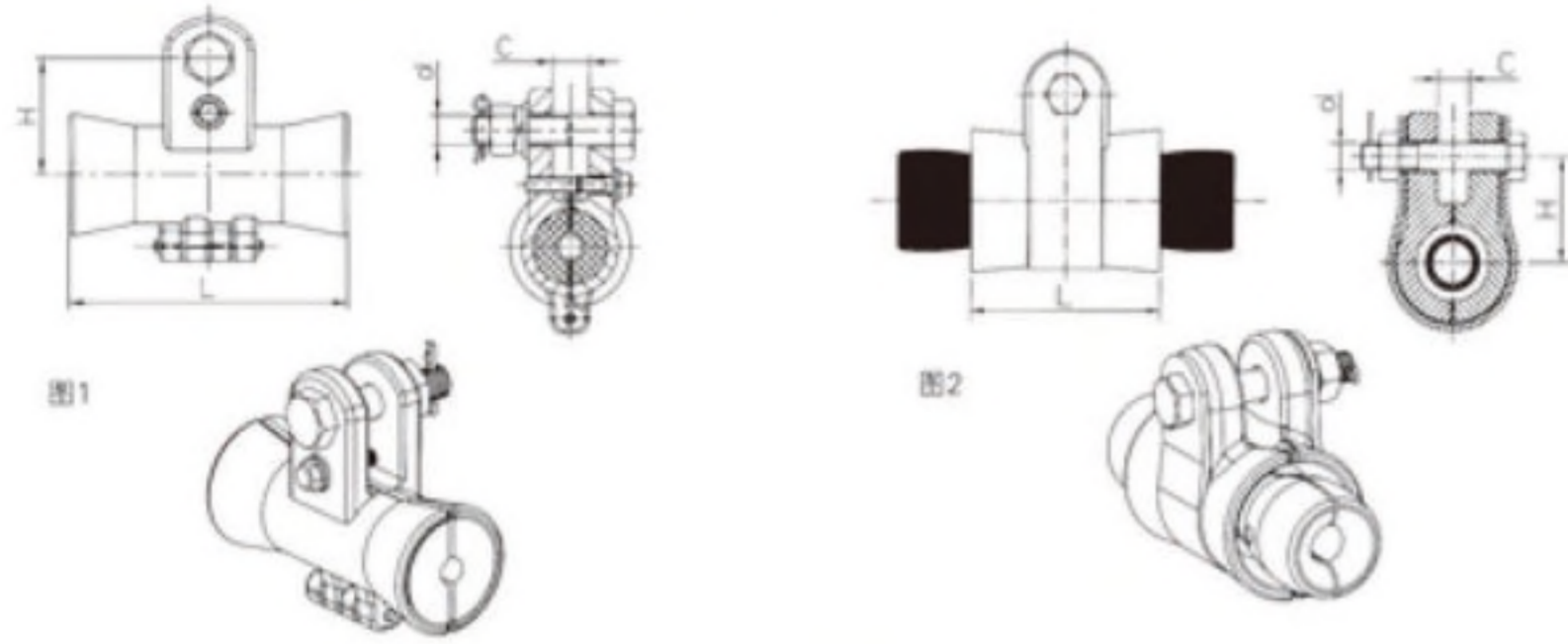
产品型号及规格 (Specification)

单悬垂线夹选型表 (Specification of single suspension set)

产品规格 Type	适用缆径 Available Dia. of Cable (mm)	内层长度 Length of Structural Reinforcing Rods (mm)	外层长度 Length of Outer Rods (mm)	参考重量 Ref. Weight (kg)	色标 Color code
OCL 0880	8.1-8.8	1650	1100	1.2	绿GR
OCL 0960	8.9-9.6	1700	1100	1.2	橙BR
OCL 1010	9.7-10.1	1700	1150	1.2	红RE
OCL 1060	10.2-10.6	1700	1150	1.3	黑BK
OCL 1110	10.7-11.1	1720	1150	1.3	黄YE
OCL 1160	11.2-11.6	1760	1180	1.4	紫PU
OCL 1170	11.7-11.7	1840	1240	1.9	蓝BU
OCL 1200	11.8-12.0	1840	1240	1.9	绿GR
OCL 1270	12.1-12.7	1860	1240	1.9	橙BR
OCL 1290	12.8-12.9	1960	1240	2.1	红RE
OCL 1360	13.0-13.6	1960	1320	2.2	黑BK
OCL 1410	13.7-14.1	2000	1320	2.2	黄YE
OCL 1430	14.2-14.3	2000	1320	2.2	紫PU
OCL 1450	14.4-14.5	2120	1440	2.6	蓝BU
OCL 1510	14.6-15.1	2120	1440	2.6	绿GR
OCL 1580	15.2-15.8	2180	1450	2.7	橙BR
OCL 1600	15.9-16.0	2410	1630	3.1	红RE
OCL 1690	16.1-16.9	2410	1630	3.1	黑BK
OCL 1730	17.0-17.3	2410	1630	3.2	黄YE
OCL 1800	17.4-18.0	2410	1630	3.3	紫PU
OCL 1840	18.1-18.4	2410	1630	3.3	蓝BU
OCL 1880	18.5-18.8	2410	1630	4.7	绿GR
OCL 1890	18.9-18.9	2410	1630	4.7	橙BR
OCL 1990	19.0-19.9	2410	1630	5.1	红RE

悬垂型号 (Suspension Clamp Type)

悬垂头装配图 (Assembly drawing of Suspension Clamp)



悬挂头型号、规格 (Specification of Suspension Clamp)

型号 Type	图例 Drawing NO.	主要尺寸 Main dimensions (mm)				重量 Weight (kg)	垂直破坏强度 Vertical Devastating Load (KN)
		d	L	H	C		
XGT-40	1	M16	150	62	20	1.17	40
XGT-95	2	M16	95	55	19	1.28	70
XGT-114	2	M16	114	60	22	1.70	100
XGT-125	2	M16	125	64	22	1.97	120
XGT-135	2	M18	135	68	30	2.60	130

OPGW光缆用双悬垂线夹 (Double point Suspension Set for OPGW)

产品用途及特点 (Usage and characteristics)

双悬垂线夹采用双悬挂头设计方案, 包括内外层预绞丝、两套悬挂头、接地线夹和配套连接件等。

双悬垂线夹主要用于光缆在高落差, 大档距或线路角度大于30°时的直线杆塔上的悬挂和支撑。

Double suspension clamp adopts double hanging heads design plan, including internal and external layer helical armor rods, two sets of hanging heads, ground clamp and assorted connectors etc.

Double suspension clamp is mainly used in hanging and supporting the optical cable on suspension tower with high fall, big distance or line angle bigger than 30°.

通用配件图 (Currency fittings)



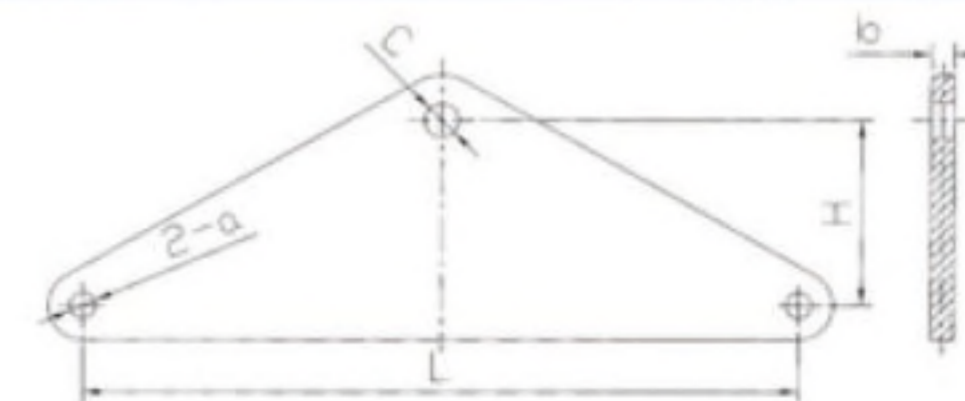
- 1、U型卡 U-Clip
- 4、橡胶夹 Rubber insert
- 7、内层预绞丝 Structural Reinforcing Rods
- 2、悬挂头 Housing
- 5、PS挂板 PS-link
- 8、外层预绞丝 outer rods
- 3、联板 Yoke
- 6、U型环 U-Clevis
- 9、接地线夹 Grounding wire Clamps

产品型号及规格 (Specification)

双悬垂线夹选型表 (Specification of double suspension set for OPGW)

产品规格 Type	适用缆径 Available Dia. of Cable (mm)	内层长度 Length of Structural Reinforcing Rods (mm)	外层长度 Length of Outer Rods (mm)	参考重量 Ref. Weight (kg)	色标 Color code
OCLS 0880	8.1-8.8	2110	1610	1.6	绿GR
OCLS 0960	8.9-9.6	2210	1610	1.7	橙BR
OCLS 1010	9.7-10.1	2210	1610	1.7	红RE
OCLS 1060	10.2-10.6	2210	1610	1.8	黑BK
OCLS 1110	10.7-11.1	2210	1610	1.8	黄YE
OCLS 1160	11.2-11.6	2210	1610	1.9	紫PU
OCLS 1170	11.7-11.7	2310	1710	2.5	蓝BU
OCLS 1200	11.8-12.0	2310	1710	2.5	绿GR
OCLS 1270	12.1-12.7	2310	1710	2.5	橙BR
OCLS 1290	12.8-12.9	2410	1710	2.8	红RE
OCLS 1360	13.0-13.6	2410	1810	2.9	黑BK
OCLS 1410	13.7-14.1	2410	1810	2.9	黄YE
OCLS 1430	14.2-14.3	2410	1810	2.9	紫PU
OCLS 1450	14.4-14.5	2610	2010	3.5	蓝BU
OCLS 1510	14.6-15.1	2610	2010	3.5	绿GR
OCLS 1580	15.2-15.8	2610	2010	3.5	橙BR
OCLS 1600	15.9-16.0	3110	2410	4.3	红RE
OCLS 1690	16.1-16.9	3110	2410	4.3	黑BK
OCLS 1730	17.0-17.3	3110	2410	4.5	黄YE
OCLS 1800	17.4-18.0	3110	2410	4.6	紫PU
OCLS 1840	18.1-18.4	3110	2410	4.6	蓝BU
OCLS 1880	18.5-18.8	3110	2410	6.3	绿GR
OCLS 1890	18.9-18.9	3110	2410	6.3	橙BR
OCLS 1990	19.0-19.9	3110	2410	6.5	红RE

联板 Yoke Plate



联板的型号及规格 Specification of Yoke Plate

型号 Type	主要尺寸 Main dimensions (mm)					破坏荷载 Devastating Load (KN)	重量 Weight (kg)
	a	b	c	H	L		
L-1040	18	16	20	70	400	120	4.55
L-1250	18	16	24	130	500	120	7.66
L-1260	18	16	24	160	600	120	10.3

OPPC用途及特点 (Usage and characteristics)

OPPC是光纤复合相线的简称,利用光纤电磁兼容的原理,将光纤单元复合在相线中,既起到电力传输作用,又起到光纤通信的作用,一种新型特种电力光缆。

当OPPC受力面积太小会导致光纤不锈钢管受压变形,影响光纤通信,因此,OPPC金具不能采用输电导线施工时所用的压接卡式金具,而应当采用特殊设计的金具及配件,如预绞丝式耐张金具、悬垂金具、防振锤、护线条等。对OPPC来说,光电分离技术是关键,所以OPPC需要配置特别的接头盒和终端盒。

OPPC is optical fiber phase conductor for short. It is the new special power optical cable by using the principle of optical fiber electromagnetic compatibility, compounding the optical fiber unit at phase line, which has functions of power transmission and fiber communication. When stressed area of OPPC is too small, the stainless steel pipe of optical fiber will become deformed under pressure, which will affect fiber communication, so when make operation for OPPC, the crimping clamp fittings for transmission conductor could not be used, but the special designed fittings and accessories should be used, such as preformed armor rod strain fittings, suspension fittings, vibration damper and armour rods etc. For OPPC, optical-electric separation is the most important, so OPPC need equipped with connection box and terminal box.

OPPC预绞式耐张金具 (Helical dead-end for OPPC)

产品用途及特点 (Usage and characteristics)

OPPC光纤复合相线用耐张线夹可分为单耐张线夹和双耐张线夹,根据工程需要分别选用。其组成为内绞丝、外绞丝(双耐张线夹增加中间外绞丝),心形环等。OPPC耐张金具需通过绝缘子与杆塔相连。

注:本公司所提供的耐张金具不包含绝缘子串。

Strain clamp for OPPC optical fiber composite phase could be divided into single strain clamp and double strain clamp, be selected and used according to engineering requirement. It consisted of internal armor rod, external armor rod (middle external armor rod should be increased for double strain clamp) and thimble etc.

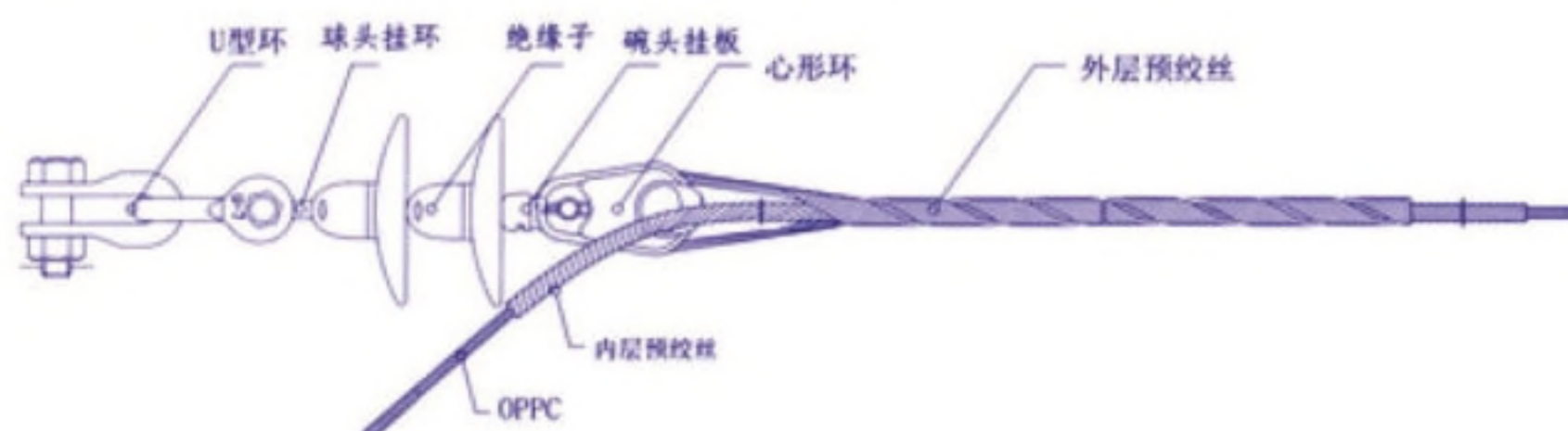
OPPC strain fittings need connect with pole tower through insulator.

Remark: Strain fittings provided by our company not include insulator chain.

OPPC耐张金具通用配置图 (Currency Assembly of dead-end for OPPC)



OPPC耐张金具安装示意图 (Sketch map of dead-end for OPPC)



OPPC耐张选型表 (Specification of helical dead-end for OPPC)

产品规格 Type	适用缆径 Available Dia. of Cable		绞丝长度 Length of preformed wire		参考重量 Ref. Weight (kg)	破断强度 Devastating strength (kN)
	最小Min. (mm)	最大Max (mm)	内层Inner (mm)	外层Outer (mm)		
OPNL 1410	12.9	14.1	1860	1400	2.6	100
OPNL 1550	14.2	15.5	2100	1550	2.9	100
OPNL 1730	15.6	17.3	2300	1680	3.6	100
OPNL 1920	17.4	19.2	2600	2000	4.7	120
OPNL 2110	19.3	21.1	2800	2200	5.2	120
OPNL 2300	21.2	23.0	3200	2800	6.7	120

OPPC悬垂金具 (Helical Suspension set for OPPC)

产品用途及特点 (Usage and characteristics)

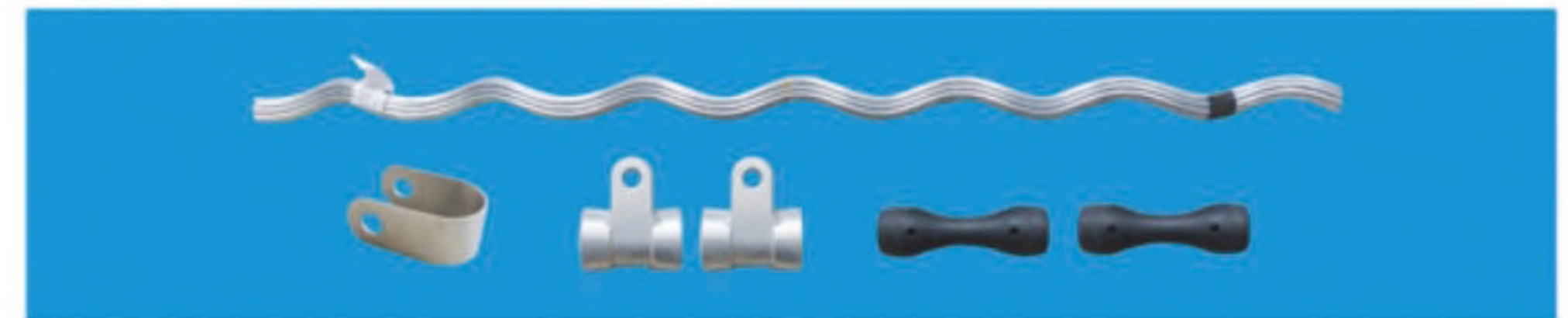
悬挂金具用于将OPPC与塔杆上的绝缘子相连接,可分为单悬垂和双悬垂,其由内绞丝、外绞丝、悬垂夹、U形卡、配套螺栓、橡胶夹组成。OPPC悬挂金具必须通过绝缘子才能与杆塔相连。

注:本公司所提供的悬垂金具不包含绝缘子串。

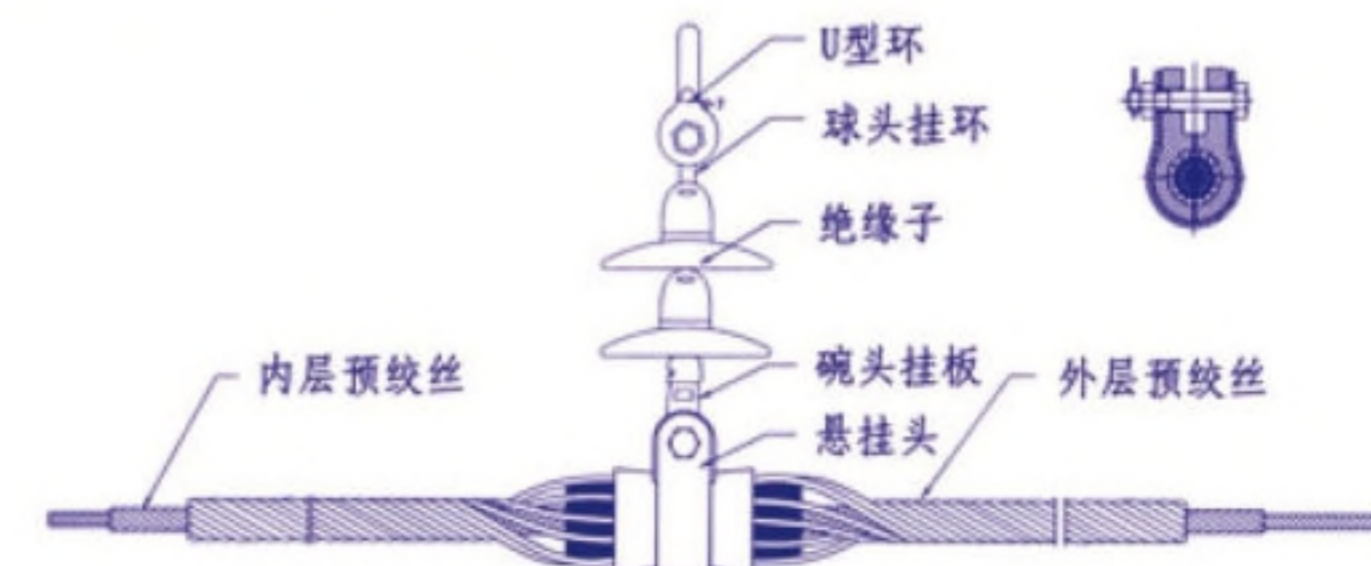
The hanging fittings is used in connecting OPPC with insulator on the tower, it has single suspension and double suspension. It consisted of internal armor rod, external armor rod, suspension clamp, U clip, assorted bolt and rubber clip. OPPC hanging fitting must connect with pole tower through insulator.

Remark: Suspension fittings provided by our company not include insulator chain.

OPPC悬垂金具通用配置图 (Currency Assembly of suspension set for OPPC)



OPPC悬垂金具安装示意图 (Sketh map of suspension set for OPPC)



OPPC悬垂选型表 (The Specification for OPPC Suspension set)

产品规格 Type	适用缆径 Available Dia. of Cable (mm)	内层长度 Length of Structural Reinforcing Rods (mm)	外层长度 Length of Outer Rods (mm)	参考重量 Ref. Weight (kg)	色标 Color code
OPCL 1360	12.9-13.6	2200	1480	2.2	黑BK
OPCL 1410	13.7-14.1	2200	1480	2.2	黄YE
OPCL 1430	14.2-14.3	2200	1480	2.2	紫PU
OPCL 1450	14.4-14.5	2400	1600	2.6	蓝BU
OPCL 1510	14.6-15.1	2400	1600	2.98	绿GR
OPCL 1580	15.2-15.8	2400	1600	2.7	橙BR
OPCL 1600	15.9-16.0	2650	1810	3.1	红RE
OPCL 1690	16.1-16.9	2650	1810	3.1	黑BK
OPCL 1730	17.0-17.3	2650	1810	3.2	黄YE
OPCL 1800	17.4-18.0	2650	1810	3.3	紫PU
OPCL 1840	18.1-18.4	2650	1810	3.3	蓝BU
OPCL 1880	18.5-18.8	2650	1810	4.7	绿GR
OPCL 1890	18.9-18.9	2650	1810	4.7	橙BR
OPCL 1990	19.0-19.9	2650	1810	5.1	红RE
OPCL 2090	20.0-20.9	2910	2100	5.6	黑BK
OPCL 2190	21.0-21.9	2910	2100	5.6	黄YE
OPCL 2300	22.0-23.0	2910	2100	5.9	紫PU

OPPC接头盒 (Closure and Terminal box for OPPC)

产品用途及特点 (Usage and characteristics)

在OPPC工程应用中, 需要将光纤单元从相线中分离出来, 涉及到光纤接续和光电分离技术。对OPPC来说, 光纤的接续、保护, 高压绝缘等要满足要求, 接头盒是非常重要的环节。

In OPPC engineering application, separate fiber unit from phase, it concerns fiber splicing and optical-electric separation technology. For OPPC, high voltage insulation should meet demands of splicing and protection of optical fiber. The connection box is the most important part.

OPPC接头盒和OPGW、ADSS光缆的接头盒有很大的不同, 在运行时是带电的, 一旦出现问题将直接影响线路的安全和正常运行。OPPC接头盒需要考虑组合绝缘子。

OPPC connection box has big difference with OPGW, ADSS optical cable. It is live when it runs, it will affect line safety and normal run directly if there are problems. OPPC connection box should consider composite insulator.

OPPC接头盒分为中间接头盒和终端接头盒, 并分别采用相应的绝缘子。

中间接头盒在线路中间, 起到光纤接续、保护和电力传输的作用。终端接头盒实现光电最终的分离。

OPPC connection box has middle box and terminal box and fixed corresponding insulator respectively. The middle box is in the middle of line and has function of fiber splicing and protection and power transmission. The terminal box achieve optical-electric final separation.

具有本公司自有知识产权的OPPC接头盒克服了目前国内外现有OPPC接头盒不能预留不锈钢管单元中的致命缺陷, 可以在盒内预留符合施工和维护要求的足够长度不锈钢管, 解决了OPPC线路在接续点处不能预留过多导线带来的问题, 也为今后的维护准备了余量, 是OPPC线路真正专用的接头盒。

The OPPC connection box has its own intellectual property right of our company. It overcame the limitation for stainless steel unit could not be reserved in OPPC connection box in domestic and abroad at present, the stainless steel pipe with enough length required by construction and maintenance could be reserved in the box, which solve the problem of not so many conductors could be reserved at the splicing point of OPPC line and prepare allowance for the future maintenance. It is the real special connection box for OPPC line.

产品示意图 (Sketch map Closure and Terminal box)



中间接头盒 (Closure)



终端接头盒 (Terminal box)

产品型号及规格 (The specification for closure and terminal box)

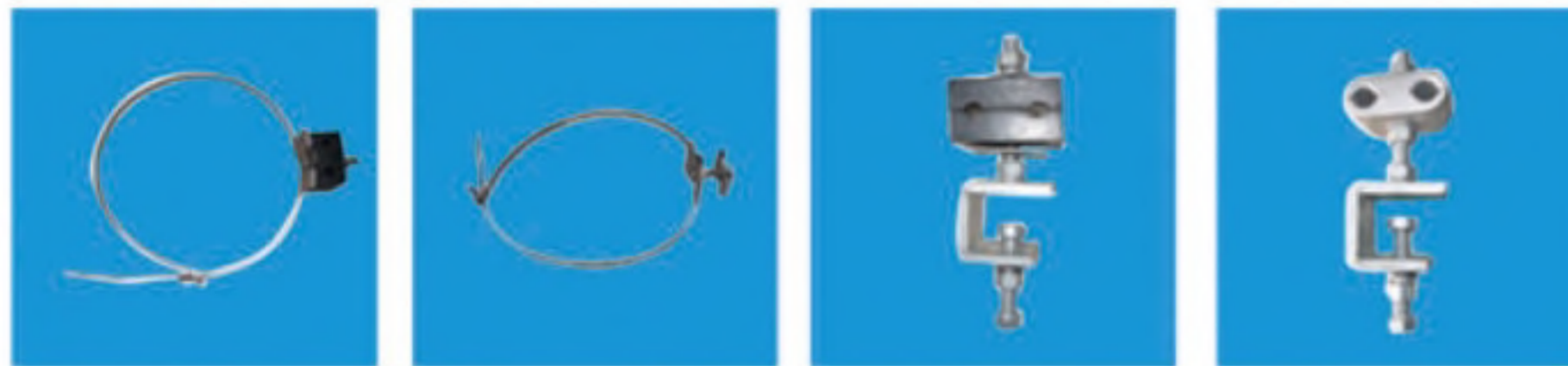
电压等级 High Voltage grade (kv)	中间接头盒 (Closure)	终端接头盒 (Terminal box)
10	GJX-JT210	GJX-JT110
35	GJX-JT235	GJX-JT135
110	GJX-JT2110	GJX-JT1110

注 (Note): 如需更高电压等级接头盒, 请与本公司联系

if you need to change for connector box with a higher voltage, please contact our company freely.

产品用途及特点 (Usage and characteristics)

用于OPGW光缆或ADSS光缆在杆塔上的固定。适用于各种不同的缆径，安装便捷、牢靠。
引下夹具分杆用和塔用两个基本类型。ADSS光缆通常采用橡胶型夹具，OPGW光缆通常采用金属型夹具。
It is used in fixing OPGW optical cable or ADSS optical cable on the tower. It is suitable for cables with different diameters. It is reliable and easy to install.
Drop clamp has two types, one is for pole and the other is for tower. ADSS optical cable adopts rubber clamp in generally, OPGW optical cable adopts metal clamp.

产品示意图 (Assembly drawing)


橡胶型杆用引下夹具
Rubber Down Lead
Clamp for Pole

金属型杆用引下夹具
Metal Down Lead
Clamp for Pole

橡胶型塔用引下夹具
Rubber Down Lead
Clamp for Tower

金属型塔用引下夹具
Metal Down Lead
Clamp for Tower

产品型号规格 (Specification)
引下线夹产品型号 (Specification for Down lead clamp)

产品名称 Item	产品规格 Type	适用缆径 Available Dia. of Cable (mm)	参考重量 Ref. Weight (kg)	备注 Note
橡胶型塔用引下夹具 Rubber Down Lead Clamp for Pole	ATY 1110	9.0-11.1	0.85	
	ATY 1330	11.2-13.3	0.85	用于ADSS光缆
	ATY 1550	13.4-15.5	0.85	Using for ADSS
	ATY 1800	15.6-18.0	0.85	
金属型塔用引下夹具 Metal Down Lead Clamp for Pole	OTY 240	8.5-24.0	0.85	用于OPGW光缆 Using for OPGW
橡胶型杆用引下夹具 Rubber own Lead Clamp for Tower	AGY 1110-***	9.0-11.1	0.95	
	AGY 1330-***	11.2-13.3	0.95	用于ADSS光缆
	AGY 1550-***	13.4-15.5	0.95	Using for ADSS
	AGY 1800-***	15.6-18.0	0.95	
金属型杆用引下夹具 Metal Down Lead Clamp for Tower	OGY 240-***	8.5-24.0	0.95	用于OPGW光缆 Using for OPGW

注 (Note):

***—表示杆径 ***— Refers to the diameter of pole

防振器 Vibration Damper

电力光缆防振器主要有螺旋防振鞭和防振锤两种。防振器起抑制光缆的微风振动及舞动的作用。每一档距防振器的安装数量、安装位置、安装距离等需根据线路情况确定。
防振锤又分4D防振锤和预绞丝式防振锤。4D防振锤通过护线条安装在光缆上，而预绞丝式防振锤通过配置的预绞丝安装在线缆上。
Power optical cable anti-vibrator has two types, spiral anti-vibration whip and anti-vibration damper. The anti-vibrator has function of controlling aeolian vibration of optical cable. The installation quantity, location, distance of each span vibrator should be determined by status of line.
Anti-vibration damper has 4D anti-vibration damper and helical armor rod anti-vibration damper. 4D anti-vibration damper will be fixed on the optical cable through armour rod; the helical armor rod will be fixed on the cable through equipped helical armor rod.

螺旋防振器 (Helical Vibration Damper)
产品用途及特点 (Usage and characteristics)

螺旋防振鞭由一种高强度、耐老化、高弹性的工程塑料制成，材料为非金属，对光缆不会造成任何机械损伤。螺旋防振鞭在ADSS光缆上的应用比较广泛。螺旋形防振鞭由一段较短的握紧段和一段较长的减振段组成：握紧段能有效握紧光缆，使得螺旋形防振鞭牢固地固定在缆上；防振段通过与光缆之间的相互碰撞产生阻尼作用，消耗光缆振动能量，使光缆上的微风振动得到减弱。
Spiral anti-vibration whip is made of engineering plastic with high strength, aging resistance and elasticity. It is non-metal material, so there is no mechanical damage to optical cable.
Spiral anti-vibration whip is widely used in ADSS optical cable. It is composed of a short holding section and a long anti-vibration section. The holding section could hold optical cable effectively, and fix the spiral anti-vibration whip on the cable firmly; anti-vibration section could has damping effect through collide each other of optical cables, consume the vibration energy of optical cable so it could weaken the aeolian vibration of optical cable.

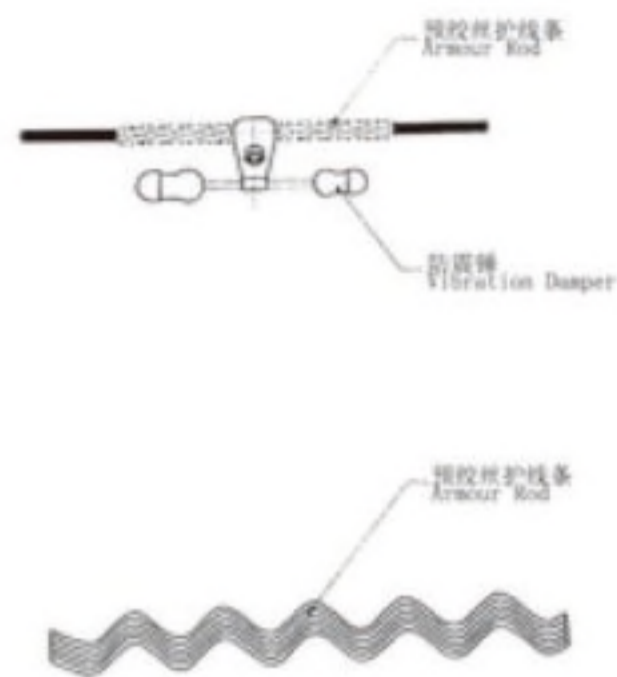
产品示意图 (Photograph of helical vibration damper)

产品型号及规格 (Specification of helical vibration damper)
螺旋减振器规格 (The Specification for helical vibration damper)

产品规格 Type	适用缆径 Available Dia. of Cable (mm)	长度 Length (mm)	参考重量 Ref. Weight (kg)
FTL 0830 126	6.35-8.29	1260	0.22
FTL 1170 130	8.30-11.70	1300	0.28
FTL 1430 135	11.71-14.30	1350	0.30
FTL 1930 167	14.31-19.30	1670	0.66

配置建议表 (Recommendation of helical vibration damper allocated)

档距 Span (m)	配置数量/档 Number/Span
<100	0
100-250	2
250-400	4
400-800	6
800-1000	8



规格 Model

型号 Model	夹持直径范围 Clamp Dia. Range (mm)	总长 Total (mm)	线夹宽 Clamp W (mm)	重量 Weight (kg)
4D-30-27.0	27.0-22.3	383	52	2.5
4D-30-23.4	23.4-19.5	383	52	2.5
4D-30-20.3	20.3-16.5	383	52	2.5
4D-30-18.0	18.0-15.0	383	52	2.5
4D-30-16.0	16.0-14.0	383	52	2.5
4D-30-14.0	14.0-12.0	383	52	2.5
4D-20-27.0	27.0-22.3	330	52	1.4
4D-20-23.4	23.4-19.5	330	52	1.4
4D-20-20.3	20.3-16.5	330	52	1.4
4D-20-18.0	18.0-15.0	330	52	1.4
4D-20-16.0	16.0-14.0	330	52	1.4
4D-20-14.0	14.0-12.2	330	52	1.4

配置 Collocation:

常用于 OPGW 光缆的防震装置,也可用于 ADSS 光缆。

Normally used for the anti-shaking facilities of OPGW optical cables, and also ADSS optical cables.

OPGW 防振锤安装数量的配置表
Configurations for the Installation Quantities of OPGW Anti-Shaking Hammers

光缆直径 Cable Dia. (mm)	档距 Span (m)			
	100~300	300~600	600~900	
$d < 12$	100~300	300~600	600~900	
$12 \leq d < 22$	100~350	350~700	700~1000	1000~1200
防振锤数量 (每档)	2	4	6	8

ADSS 防振锤安装数量的配置表
Configurations for the Installation Quantities of ADSS Anti-Shaking Hammers

光缆直径 Cable Dia. (mm)	档距 Span (m)			
	100~250	250~450	450~700	
$d < 12$	100~250	250~450	450~700	
$12 < d < 22$	100~250	250~500	500~800	800~1000
防振锤数量 (每档)	1	2	4	6

选型 Choose Model:

选型时考虑两个因素,一是选择锤头,二是选择安装导线直径。综合考虑 OPGW 的光缆的主要技术参数,如张力、风速、地形等因素确定选用防振锤。

重量的选择:

理论公式: $Z = (T \cdot m) / 2$ 意义: Z 为光缆的特征阻抗值,此数值决定防振锤的型号。

如果 $Z > 110$, 则选用 4D-30;

如果 $Z \leq 110$, 则选用 4D-20。注: T 光缆额定抗拉强度的 18%-25% (KN)

M 光缆单位重量 kg/km

Two factors shall be included in the sizing: one is the selection of hammer head; the other is diameter of installation selection of hammer head; the other is diameter of installation cable. In total, selection of anti-vibration hammer should include the key technical parameters of OPGW cables, like tension, wind speed and landform etc.

Selection of Weights

Theoretical Formula: $Z = (T \cdot m) / 2$

Annotation: Z means the characterized impedance value of optical cable, which shall define type of anti-vibration facility.

If $Z > 110$, then 4D-30 shall be chosen;

If $Z \leq 110$, 4D-20 shall be utilized.

Note: T means 18%-25% of rated anti-pulling intension of optical cable (unit: KN);

M means the unit weight of cable (kg/km).

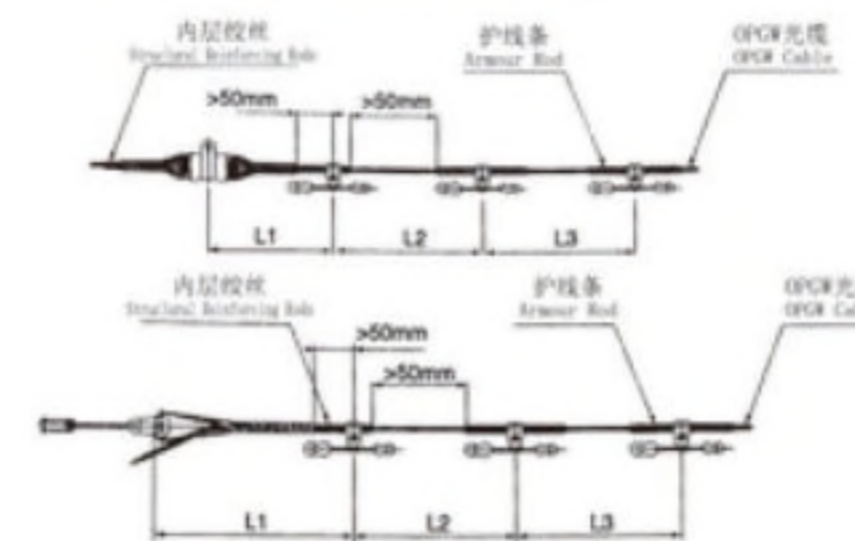
夹持直径的选择:

夹持直径指光缆直径与耐张线夹(或悬垂线夹)内绞丝两倍直径之和。如安装在护线条时,夹持直径则为光缆直径加护线条的两倍直径。

Selection of Clipping Diameter

Clipping diameter means the optical cable diameter plus twice the diameter of internal twist thread of anti-strain clamp (or overhanging clamp). For example, in the installation of protection lines, clipping diameter shall equal to the diameter of optical cable plus twice diameter of protection lines.

安装示意图 Installation Hint:



安装位置的确定

根据防振方案要求进行安装。

注意事项:

- 1、根据计算,若防振锤计算安装位置落在内绞线上,则不必加装护线条,直接安装即可。
- 2、如果防振锤计算安装位置落在光缆上,则需加装护线条,且注意护线条末端距离内绞线末端至少 50mm。
- 3、如果防振锤安装位置落在外绞线上,则可偏移少许,直接安装在内绞线上,但防振锤中心距外绞线末端大于 50mm。
- 4、锤头朝向:大锤头朝铁塔。

Localization of Installation

Install per the anti-vibration scheme.

Note:

1. According to the calculation, if the calculated installation position of anti-vibration hammer falls onto the internal twisted thread, the the installation can proceed with no protection lines installed.
2. If the calculated installation position of anti-vibration hammer falls onto the optical cable, then the protection lines should be installed, and attention should be paid to keep the end of protection lines should at least 50mm from the end of internal twisted thread.
3. If the calculated installation position of anti-vibration hammer falls onto the external twisted thread, then it can be installed directly onto the internal twisted thread with tiny excursion allowed, but center of anti-vibration hammer should be more than 50mm from the end of external twisted thread.
4. Direction of the hammer head: Towards the iron tower.

护线条 Armour Rod

规格 Model	适用缆径 Cable Dia. (mm)	材料 Material	长度 L (mm)	重量 Weight (kg)	规格 Model	适用缆径 Cable Dia. (mm)	材料 Material	长度 L (mm)	重量 Weight (kg)
TFH 0800	7.4-8.0	防锈铝合金	400	0.12	TFH 1410	13.7-14.1	防锈铝合金	500	0.23
TFH 0880	8.1-8.8	防锈铝合金	400	0.12	TFH 1430	14.2-14.3	防锈铝合金	500	0.23
TFH 0960	9.0-9.6	防锈铝合金	450	0.15	TFH 1450	14.4-14.5	防锈铝合金	500	0.23
TFH 1010	9.7-10.1	防锈铝合金	450	0.15	TFH 1510	14.6-15.1	防锈铝合金	500	0.25
TFH 1060	10.2-10.6	防锈铝合金	450	0.17	TFH 1580	15.2-15.8	防锈铝合金	500	0.28
TFH 1110	10.7-11.1	防锈铝合金	450	0.17	TFH 1600	15.9-16.0	防锈铝合金	550	0.30
TFH 1160	11.2-11.6	防锈铝合金	500	0.19	TFH 1690	16.1-16.9	防锈铝合金	550	0.30
TFH 1170	11.7-11.7	防锈铝合金	500	0.21	TFH 1730	17.0-17.3	防锈铝合金	550	0.30
TFH 1200	11.8-12.0	防锈铝合金	500	0.21	TFH 1800	17.4-18.0	防锈铝合金	550	0.33
TFH 1270	12.1-12.7	防锈铝合金	500	0.21	TFH 1840	18.1-18.4	防锈铝合金	550	0.33
TFH 1290	12.8-12.9	防锈铝合金	500	0.23	TFH 1880	18.5-18.8	防锈铝合金	550	0.35
TFH 1360	13.0-13.6	防锈铝合金	500	0.23					



功能用途 Function

用于110kV及以上电压等级的输电线路，同杆或同塔架设ADSS光缆时，光缆往往处于较高的空间电位，预绞丝的末端很容易引起电晕，对光缆的安全运行构成威胁。为此，此防晕环主要是为了改变预绞丝末端电场状况，提高起晕电压可达1倍以上，防晕环材质为优质铝合金丝。

It is used in the electric transmission line with voltage of 110KV and above. When erect ADSS optical cable on same pole or tower, the optical cable is in higher space potential, the end of helical armor rod is easy to cause anticorona ring, and pose threat to safe run of optical cable. So this anticorona ring is mainly for changing the status of electric field of end of helical armor rod, improving corona starting voltage as more than 1 times. The material of anticorona ring is high quality aluminum alloy rod.

选型方法 Molding method

根据光缆直径：

每套悬垂线夹配置两套防晕环；

每套耐张线夹配置一套防晕环。

According to diameter of optical cable

Two sets of anticorona ring equipped with one set of suspension clamp

A set of anticorona ring equipped with each set of strain clamp



预绞式防振锤 (Vibration Damper with helical wire)

产品用途及特点 (Usage and characteristics)

在设计线路时，需要采取防振措施。防振锤能有效消除或降低线缆运行时的振动或舞动，预绞丝式防振锤有锤体和预绞丝线夹组成。

我公司提供的新型预绞丝式防振锤，其独特的重量和合理的外形设计，能产生多个共振频率，有效防止振动。

Anti-vibration measures should be considered. Anti-vibration damper could eliminate or reduce the vibration or dancing effectively when the cable runs. Helical armor rod anti-vibration damper is composed of hammerblock and helical armor rod.

The new helical armor rod anti-vibration damper provided by our Company has specific weight and reasonable appearance, which could bring many resonant frequencies and prevent vibration effectively.

预绞丝式防振锤产品示意图 (Sketch map of vibration damper with helical wire)



预绞丝式防振锤 (I)
Vibration damper with helical wire (Type I)

音叉型预绞丝式防振锤 (II)
Tuning fork Vibration damper with helical wire (Type II)

预绞丝式防振锤产品型号规格 (Specification of Vibration damper with preformed wire)

I型预绞丝式防振器选型表 (Specification of Type I Vibration damper with helical wire)

防振锤型号 Type	适用导线直径 Cable Dia. (mm)		参考重量kg/套 Weight Ref. (kg/set)
	最小 min.	最大 max.	
F14873A01	11.50	13.10	1.55
F14873A01	13.11	14.81	
F14873A03	14.82	16.62	
F14873A04	16.63	18.53	
F14873A05	18.54	20.54	
F14873A06	10.10	11.49	
F14873A07	20.55	22.55	
F14873A08	8.80	10.09	

II型音叉型预绞丝式防振锤选型表 (Specification of Type II Tuning fork vibration damper with helical wire)

防振锤型号 Type	导线直径 Cable Dia. (mm)		适用导线面积 Application conductor area (mm ²)	参考重量 Weight Ref. (kg)
	最小 min.	最大 max.		
B161001A01	7.0	13.0	35-70	2.5
B161001A02	13.1	18.0	95-150	2.5
B161002A02	18.1	24.0	185-240mm ²	3.3
B161002A03	24.1	28.0	300-400mm ²	3.3
B161002A04	28.1	34.0	500-630mm ²	3.3

光缆接头盒主要用于保护两段光缆之间光纤的接头用，并在接头盒中预留一段光纤作为维护使用。接头盒密封性能优良，防水、防潮，且在电力线路上不被腐蚀。

Optical cable connection box is mainly used in protecting the splices of optical fibers between two sections of optical cable, reserving a section of optical fiber in the connection box for maintenance.

The connection box has excellent sealing property, waterproof and dampproof. It could not be corroded on the power line. 接头盒分中间接头盒和终端接头盒两种基本类型：中间接头盒用于线路中间两段光缆之间的对接保护，终端接头盒为线路终端使用，用于光缆线路终端分线或光缆中光纤与跳线的连接保护。

Connection box has two types, middle connection box and terminal connection box. Middle connection box is used in butt joint between two sections of optical cable in the middle of line; the terminal connection box is used in line terminal, optical cable line terminal coupling or connection protection between optical fiber or jumper of optical cable.

电力光缆接头盒根据光缆使用环境分为杆用及塔用。根据外壳材料不同，又分金属型和非金属型（塑料）

- 1) 塑料接头盒用于ADSS与ADSS光缆接续和分支保护；
- 2) 金属接头盒与塑料接头盒相比，在机械强度、密封性，耐腐蚀性等更具有明显的优点，可重复开启、扩容、维修、复接等，通常用于OPGW光缆。

Electric power optical cable connection box has pole type or tower type according to operating environment.

It has metal type and non-metal type (plastic) according to difference casing material.

- 1) Plastic connection box is used in splicing and branch protection of ADSS and ADSS optical cable.
- 2) Compare with the plastic connection box, metal connection box has obvious advantages, such as mechanical strength, sealing property and corrosion resistance. It could repeating open, dilatation, maintenance and incremental connection etc. It is used in OPGW optical cable generally.

中间接头盒产品 (Photograph of Joint Box)

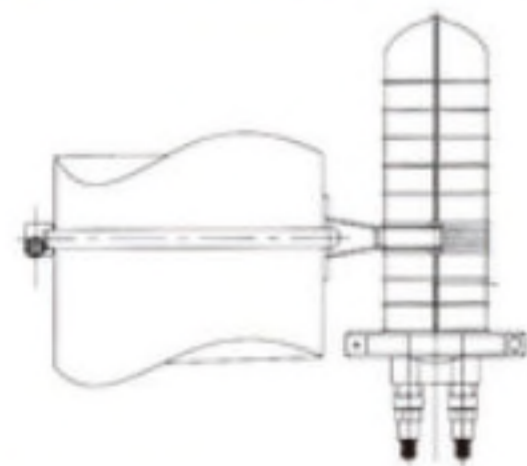


炮弹型塑料接头盒
Cap-type Plastic Closure

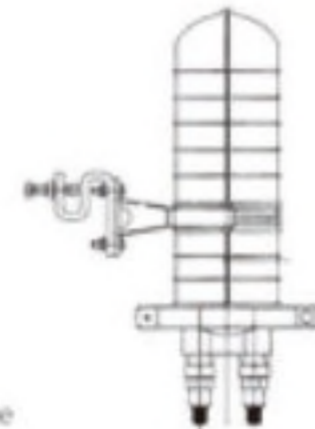


炮弹型金属接头盒
Cap-type Metal Closure

塑料接头盒安装示意图 (Installation sketch map of plastic closure)

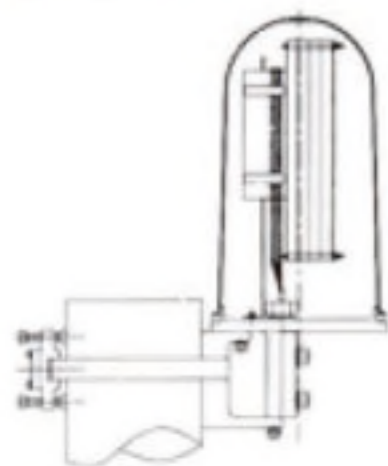


a) ADSS杆用炮弹型塑料接头盒
Cap-type Plastic Closure for Pole

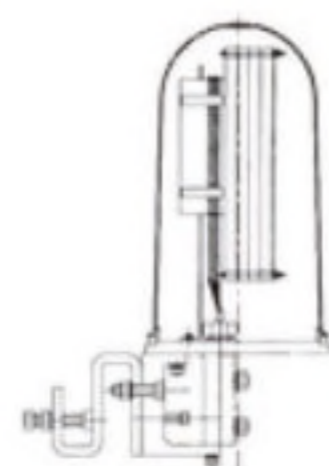


b) ADSS塔用炮弹型塑料接头盒
Cap-type Plastic Closure for Tower

金属接头盒安装示意图 (Installation sketch map of metallic closure)



a) 杆用炮弹型金属接头盒
Cap-type Metal Closure for Pole



b) 塔用炮弹型金属接头盒
Cap-type Metal Closure for Tower

中间接头盒产品规格型号 (Specification of joint box)

ADSS光缆炮弹型接头盒型号规格 (Specification of joint box for ADSS cable)

名称 Item	规格 Type	重量 Weight (kg)	备注 Remark
ADSS光缆杆用接头盒 ADSS Cable Closure for Pole	AJXG N1 N2	1.8	塑料 Plastic
ADSS光缆塔用接头盒 ADSS Cable Closure for Tower	AJXT N1 N2	1.8	塑料 Plastic

注(Note):

N1—端口数，最大5个(cable Ports, less than 5) N2—光缆芯数(fiber number)

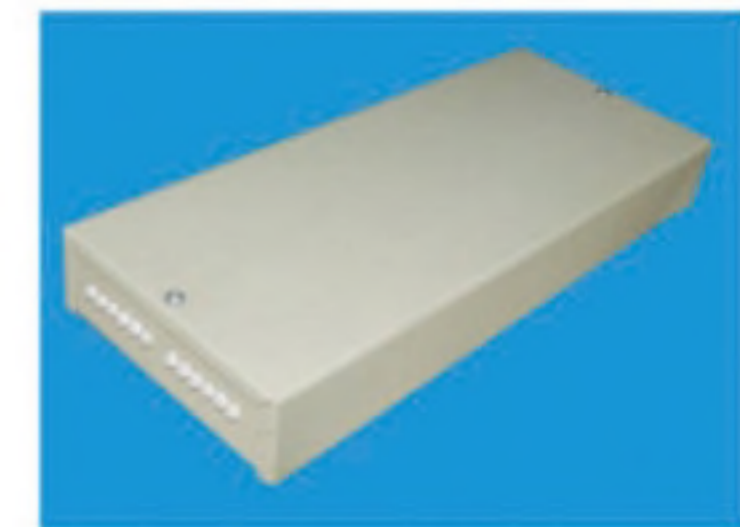
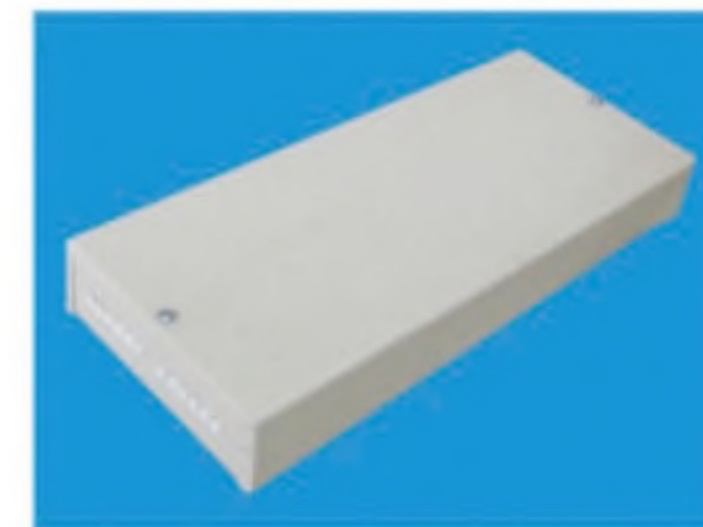
炮弹型金属接头盒规格 (Specification of metal closure)

名称 Item	规格 Type	重量 Weight (kg)	外壳材料 Material	备注 Remark
杆用炮弹型金属接头盒 Cap-type Metal Closure for Pole	OJXG N1 N2	6.7	铝合金(AA)	可用于ADSS和OPGW Can be used to ADSS&OPGW
塔用炮弹型金属接头盒 Cap-type Metal Closure for tower	OJXT N1 N2	6.7	铝合金(AA)	可用于ADSS和OPGW Can be used to ADSS&OPGW

注(Note):

N1—端口数，最大5个(cable Ports, less than 5) N2—光缆芯数(fiber number)

终端盒产品示意图 (Sketch Map of Terminal Box)



终端盒型号规格 (Specification of Terminal box)

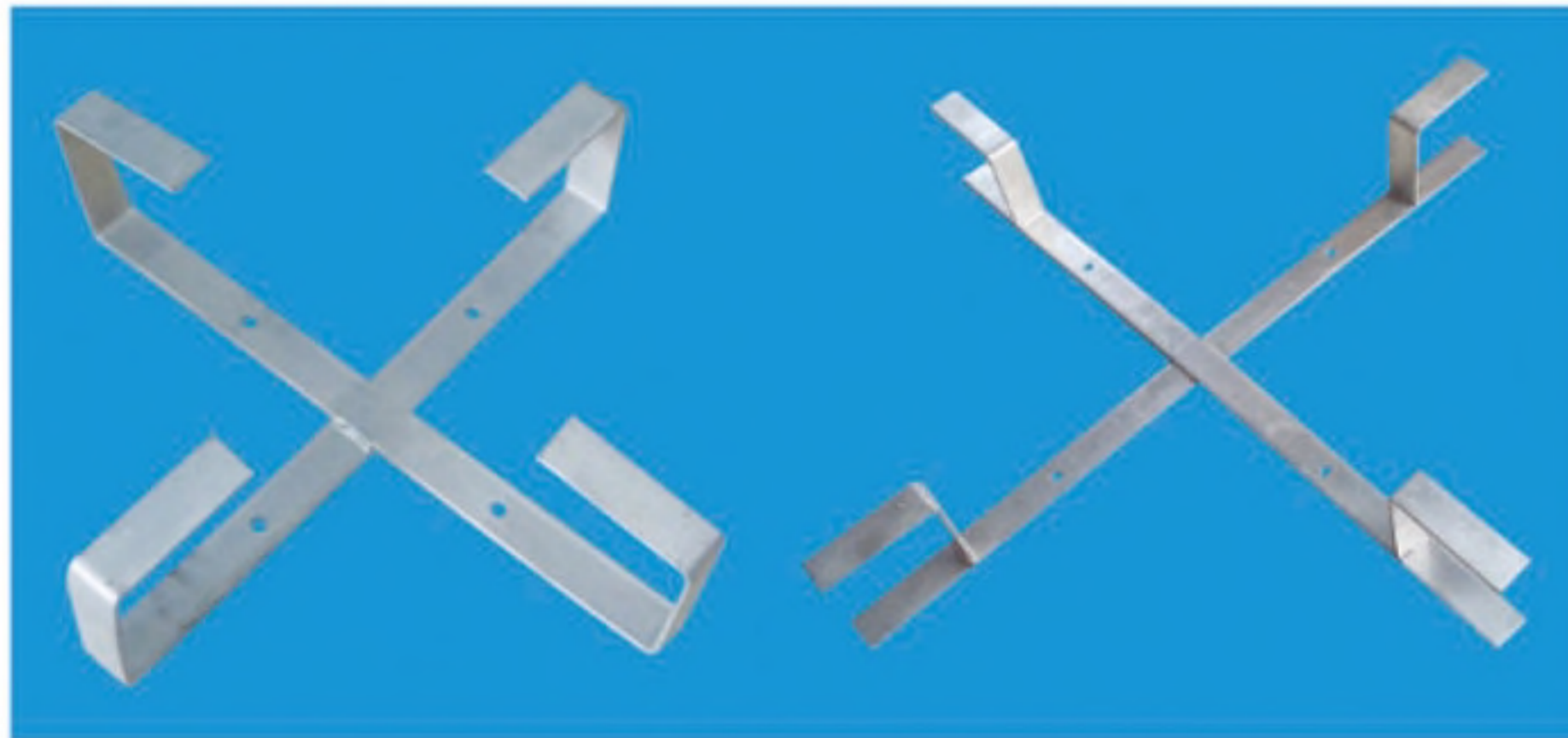
名称 Item	型号 Type	光纤容量(芯) Core No.	重量 Weight (kg)	外壳材料 Material
终端盒 Terminal box	GPZ**	**	0.96	钢 Steel

注 (Note): **——光缆芯数 (Fiber number)

产品用途及特点 (Usage and characteristics)

余缆架的作用是在接续杆塔(杆)上存放预留的光缆,一般在耐张塔(杆)上使用。
The rest cable stand is used in collecting reserved optical cable on the connecting tower (pole), on strain tower (pole) generally.

产品示意图 (Sketch map)



产品型号及规格 (Specification)

余缆架型号规格 (Specification of cable storage assembly)

产品规格 Type	型号 Type	主要参数 Dimension		配置 Collocation	适用光缆类型 Suitable Cable type
		光缆直径 Diameter (mm)	参考重量 Weight (kg)		
塔用余缆架 Cable Storage Assembly for Tower	TYL	ADSS≤14.8mm	660	4.5	小夹板 Small clamp
		ADSS≥14.8mm	1000	8.0	
		OPGW>14.8mm	1200	12.0	
杆用余缆架 Cable Storage Assembly for Pole	GYL S*	0000		6.5	杆用支座 pillar for pole

说明 (Note) :

- 1、TYL——表示塔用 (Use for Tower) GYL——表示杆用 (Use for Pole)
S*——杆用支座型号, 见P32余缆架杆用支座规格表 (Pillar for Pole, Ref.P32, specification of pillar for pole)
- 2、当余缆架用于铁塔上安装, 配两幅小夹板。(It collocate two pair clamps when cable storage assembly install at tower)
当余缆架用于电杆上安装, 配两套杆用支座。(It collocate two pair pillars when cable storage assembly install at pole)
- 3、0000——光缆直径 (Cable diameter)

余缆架杆用支座、小夹板 (Accessories of Cable Storage Assembly)

用途: 杆用支座起到将余缆架固定在杆上的作用; 小夹板起到将余缆架固定在铁塔上的作用。
Use: The pole seat could fix the remaining cable stand on the pole; small splint could fix the remaining cable stand on the iron tower.



a) 杆用支座 Pillar for Pole

b) 小夹板 Small clamp

余缆架杆用支座规格 (Specification of pillar for pole)

产品名称 Name	型号 Type	适用杆径 Pole Dia. (mm)	重量 weight (kg)	材料 Material
杆用支座 Pillar for Pole	S1	150-310	0.48	不锈钢带 Stainless Steel Strip
	S2	311-460	0.52	
	S3	461-600	0.57	
	S4	601-800	0.62	
	S5	801-1000	0.72	

小夹板规格 (Specification of small Clamp)

产品名称 Name	型号 Type	适用铁塔角钢尺寸 (mm)	重量 Weight (kg)	材料 Material	备注 Remark
小夹板 Small Clamp	YJB-***	70~150	1.2	热镀锌钢 galvanized steel	

注: ***——铁塔角钢尺寸, 如无特别说明一般用YJB-70.

Note:***——Angle Iron Dimension for Steel Tower. If there is no special request, it may use YJB-70 generally

产品用途及特点 (Usage and characteristics)

紧固夹具主要起到将各类线夹固定或连接在铁塔或杆上的作用。根据线路特点，紧固夹具分杆用和塔用两种。塔用的为金属夹板，在不破坏原有铁塔强度的前提下将各类线夹固定在铁塔上。杆用的为抱箍。

耐张夹板用于转角塔或终端塔，为ADSS光缆架设提供挂点。直线夹板用于直线塔，为ADSS光缆架设提供挂点。抱箍用于耐张、悬垂线夹在杆上的固定，为ADSS光缆架设提供挂点。

The fastening clamp could fix or connect different clamps on the steel tower or pole. It has pole type and tower type according to the lines characteristics. The tower type is metal splint, it fixes different clamps on the iron tower without damage of iron tower strength. Pole type is hold hoop. Tension splint is used for corner tower or terminal tower, it provides hanging point to ADSS optical cable erection. The straight splint is used for tangent tower, it provides hanging point to ADSS optical cable. The hold hoop fix the strain clamp and suspension clamp on the pole, and provide hanging point to ADSS optical cable erection.

产品示意图 (Sketch map)

塔用紧固夹具 (Immobility Clamp for tower)

杆用紧固夹具 (Immobility Clamp for Pole)



直线夹板 Straight clamp

耐张夹板 Tension Clamp

抱箍 Hoop

产品型号及规格 (Specification)
塔用夹板的产品型号规格 (Specification of Clamp for tower)

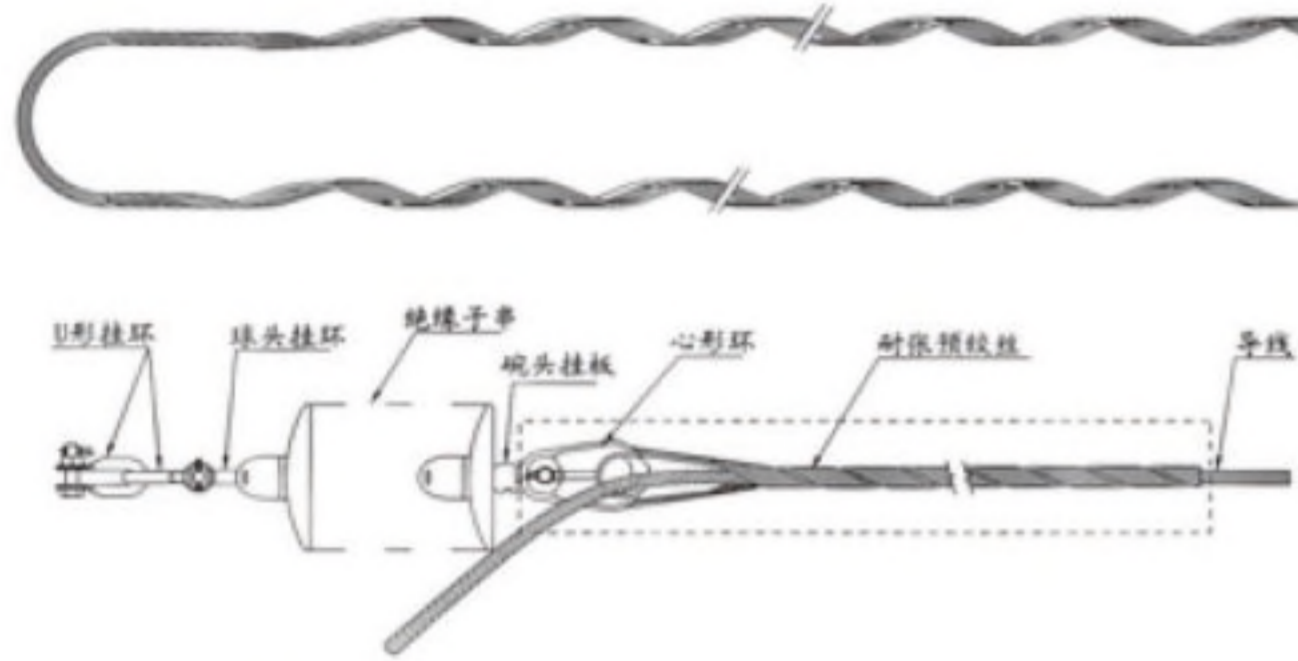
名称 Item	产品规格 Type	用于光缆挂点位置主材尺寸 Dimension of main stand for cable fixing location	参考重量 Ref. Weight (kg)	材料 Material	破坏荷载 Devastating Load (kN)
直线夹板 Straight Clamp	TZJ 070 080	≤80mm	3.55	镀锌钢 galvanized steel	70
	TZJ 070 100	81-100mm	3.85		70
	TZJ 070 125	101-125mm	4.15		70
	TZJ 070 145	126-145mm	4.45		70
	TZJ 070 165	146-165mm	4.85		70
	TZJ 070 200	166-200mm	5.01		70
耐张夹板 Tension Clamp	TNJ 100 080	≤80mm	2.89	镀锌钢 galvanized steel	100
	TNJ 100 100	81-100mm	3.19		100
	TNJ 100 125	101-125mm	3.56		100
	TNJ 100 145	126-145mm	3.86		100
	TNJ 100 165	146-165mm	5.43		100
	TNJ 100 200	166-200mm	6.11		100

杆用抱箍的型号规格 (Specification of Hoop)

名称 Item	型号 Type	安装位置直径 Diameter of fixing locations	参考重量 Ref. Weight (kg)	材料 Material	破坏荷载 Devastating Load (kN)
抱箍 Hoop	HBG 070 125	101-125mm	2.3	镀锌钢 galvanized steel	70
	HBG 070 150	126-150mm	2.5		70
	HBG 070 175	151-175mm	2.7		70
	HBG 070 200	176-200mm	2.9		70
	HBG 070 225	201-225mm	3.2		70
	HBG 070 250	226-250mm	3.4		70
	HBG 070 275	251-275mm	4.0		70
	HBG 070 300	276-300mm	4.2		70
	HBG 070 325	301-325mm	4.4		70
	HBG 070 350	326-350mm	4.6		70
	HBG 070 375	351-375mm	4.9		70
	HBG 070 400	376-400mm	5.1		70
	HBG 070 425	401-425mm	5.3		70
	HBG 070 450	426-450mm	5.5		70
	HBG 070 475	451-475mm	5.7		70
	HBG 070 500	476-500mm	6.0		70
	HBG 070 525	501-525mm	6.2		70
	HBG 070 550	526-550mm	6.4		70
	HBG 070 575	551-575mm	6.6		70
	HBG 070 600	576-600mm	6.8		70
HBG 070 625	601-625mm	7.1	70		
HBG 070 650	626-650mm	7.3	70		
HBG 070 675	651-675mm	7.5	70		
HBG 070 700	676-700mm	7.7	70		
HBG 070 800	701-800mm	8.7	70		
HBG 070 900	801-900mm	9.7	70		
HBG 070 1000	901-1000mm	9.9	70		

预绞式耐张线夹用于承受导线轴向张力。与心形环、连接金具、绝缘子等金具配套使用，将导线、地线连接至耐张杆塔上。可代替常规的螺栓型耐张线夹、压缩型耐张线夹及楔型耐张线夹。由于产品结构简单，安装方便，大大降低了施工成本，目前在国内外架空线路上得到了广泛的推广与应用。

Helical strain clamp is used in bearing axial tension of conductor, and equipped with thimble connecting fittings and insulators etc, it could connect the conductor and ground wire on the strain pole and tower. It could replace bolt strain clamp, compression-type strain clamp and wedge shape strain clamp. It has simple structure, easy installation. It reduced the construction cost. At present, it widely used in aerial lines in domestic and abroad.



注：在没有特别要求的情况下，本公司产品仅包含虚线框中的构件
 Note: Our company's products only include the member in dotted line circle in the event of without any special requirement.

预绞式耐张线夹分为 Helical strain clamp divided into

预绞式导线耐张线夹 Helical conductor strain clamp

预绞式地线耐张线夹 Helical earth wire strain clamp

预绞式拉线耐张线夹 Helical stay wire strain clamp

产品特点 Characteristics

线夹握力大安全性能高。用于钢绞线、铝绞线、钢芯铝绞线、绝缘导线等输电线路，预绞式耐张线夹握力可达到100%绞线计算拉断力（CUTS）或以上。

It has big grip and high safety performance. It used in electric line of steel strand wire, aluminum strand wire, steel-core aluminum strand wire and insulated conductor etc. The grip of helical strain clamp could reach to 100% strand wire calculated dragging force at break (CUTS) or above.

预绞式线夹安装简单，便于施工，无需任何专用工具，一人便能可靠完成操作，而且安装质量易于保证，一致性高，用肉眼即可现场检验。

Helical strain clamp has characteristics of easy installation, simple construction, no special tool required, good consistency, only one person could finish the operation; It is very simple to ensure the installation quality, inspect with naked eyes on the spot.

线夹耐腐蚀性好；材质与导线完全一致，保证线夹具有较强的抗电化学腐蚀的能力。

The clamp has good corrosion resistance. The material is same with conductor, which could ensure the clamp has strong anti-electrochemical corrosion capacity.

线夹采用螺旋形设计，提高了导线抗振能力，应力分布均匀，不损伤导线，延长了导线的使用寿命。

The clamp adopts spiral design, which improve the anti-vibration capacity of conductor, distribute the stress uniformly, no damage for the conductor, prolong the service life of conductor.

材料 Material

产品由镀锌钢丝、铝包钢丝等材料制造。

It is produced by galvanized steel wire and aluminum steel wire.

预绞式导线耐张线夹 (Helical Tension Set for Conductor)

钢芯铝绞导线用预绞式耐张线夹选型表 Selection of Helical Tension Set for ACSR Conductor

公司产品型号 Type	对应DL/T763-2001 标准型号 Standard DL/T 763-2001 Reference	适用导线直径范围 Available Dia. of Conductor (mm)	钢芯铝绞线 LGJ/LGJF型号 Suitable Conductor ACSR	线夹长度 Clamp Length (mm)	色标 Color Code	重量 Weight (kg)	配套 金具 Fitting
DNL 2112	NL-35/6	7.35-8.26	35/6	630	黄 Yellow	0.2	TC-07
DNL 2114	NL-50/8	9.26-10.39	50/8	690	黑 Black	0.25	
DNL 2115	NL-70/10	10.40-11.68	70/10	750	蓝 Blue	0.42	
	NL-50/30		50/30				
DNL 2117	NL-70/40	13.12-14.66	70/40	890	绿 Green	0.62	TC-12
	NL-95/15		95/15				
	NL-95/20		95/20				
DNL 2118	NL-120/7	14.67-16.59	120/7	900	红 Red	0.81	
	NL-120/20		120/20				
	NL-95/55		95/55				
DNL 2119	NL-120/25	16.60-18.77	120/25	1030	黄 Yellow	1.13	
	NL-150/8		150/8				
	NL-150/20		150/20				
	NL-120/70		120/70				
DNL 2120	NL-150/25	18.78-21.26	150/25	1170	黑 Black	1.8	
	NL-150/35		150/35				
	NL-185/10		185/10				
	NL-185/25		185/25				
	NL-185/30		185/30				
	NL-210/10		210/10				
DNL 2121	NL-185/45	21.27-24.05	185/45	1280	蓝 Blue	2.4	
	NL-210/25		210/25				
	NL-210/35		210/35				
	NL-210/50		210/50				
	NL-240/30		240/30				
	NL-240/40		240/40				
DNL 2122	NL-240/55	24.06-27.20	240/55	1430	绿 Green	3.1	
	NL-300/15		300/15				
	NL-300/20		300/20				
	NL-300/25		300/25				
	NL-300/40		300/40				
	NL-300/50		300/50				
	NL-300/70		300/70				
	NL-400/20		400/20				
	NL-400/25		400/25				
	NL-400/35		400/35				

铝绞导线用预绞式耐张线夹选型表
 Selection of Helical Tension Set for Aluminum Stranded Conductor

公司产品 型号 Type	对应DL/T763-2001 标准型号 Standard DL/T 763-2001 Reference	适用导线直径范围 Available Dia. of Conductor (mm)	钢芯铝绞线 LGJ/LGJF型号 Suitable Conductor ACSR	线夹长度 Clamp Length (mm)	色标 Color Code	重量 Weight (kg)	配套 金具 Fitting	
DNL 2113	NL-50/LJ	8.27-9.25	50	690	绿 green	0.26	TC-07	
DNL 2115	NL-70/LJ	10.40-11.68	70	750	蓝 blue	0.4		
DNL 2116	NL-95/LJ	11.69-13.11	95	810	黑 black	0.4		
DNL 2117	NL-120/LJ	13.12-14.66	120	890	绿 green	0.6		
DNL 2118	NL-150/LJ	14.67-16.59	150	900	红 red	0.8		
DNL 2119	NL-185/LJ	16.60-18.77	185	1030	黄 yellow	1.1		
DNL 2119	NL-210/LJ	16.60-18.77	210	1030	黄 yellow	1.1		
DNL 2120	NL-240/LJ	18.78-21.26	240	1170	黑 black	1.8		
DNL 2121	NL-300/LJ	21.27-24.05	300	1280	蓝 blue	2.4		
DNL 2122	NL-400/LJ	24.06-27.20	400	1430	绿 green	3.1		
DNL 2123	NL-500/LJ	27.21-30.78	500	1660	红 red	4.9		TC-12

备注：表中未涵盖公司所有产品，如有需要请与本公司联系。

Remark: Not all products listed in the form. Please contact our company if you have any requirement.

绝缘导线用预绞式耐张线夹选型表 Selection of Helical Tension Set for Insulated Conductor

公司产品 型号 Type	对应DL/T763-2001 标准型号 Standard DL/T 763-2001 Reference	适用导线直径范围 Available Dia. of Conductor (mm)	1kv以下适用 导线型号 Suitable cable ≤ 1kV	10KV以下适用 导线型号GB 14049-93 Suitable cable ≤ 10kV		线夹长度 Clamp Length (mm)	色标 Color Code	重量 Weight (kg)	配套 金具 Fitting
				薄绝缘 Thin Insulation	普通绝缘 General Insulation				
DNL 2211		5.82-6.53	10			470	绿 Green		TC-07
DNL 2212		6.55-7.34	16			540	蓝 Blue		
DNL 2213		8.28-9.25	25			700	黑 Black		
DNL 2214		9.26-10.39	35			700	红 Red	0.47	
DNL 2215		10.40-11.68	50			760	蓝 Blue	0.47	
DNL 2216		11.69-13.11	70	25	10	800	绿 Green	0.51	
DNL 2217		13.12-14.66	50	35	16	870	红 Red	0.74	
DNL 2218	NL-35/JY	14.67-16.59	95	70	35	900	蓝 Blue	0.8	
DNL 2219	NL-50/JY	16.60-18.77	120	95	50	990	红 Red	1.1	
DNL 2220	NL-70/JY	18.78-21.26	150	120	70	1020	黑 Black	1.6	
DNL 2221	NL-95/JY	21.27-24.05	185	150	95	1020	黑 Black	1.85	
DNL 2222	NL-120/JY	24.06-27.20	240	185	150	1020	蓝 Blue	2.2	
DNL 2223	NL-150/JY	27.21-30.78	300	240	240	1030	黄 Yellow	3.1	TC-12

备注：表中未涵盖公司所有产品，如有需要请与本公司联系。

Remark: Not all products listed in the form. Please contact our company if you have any requirement.

预绞式地线耐张线夹 (Helical Tension Set for Ground Wire)

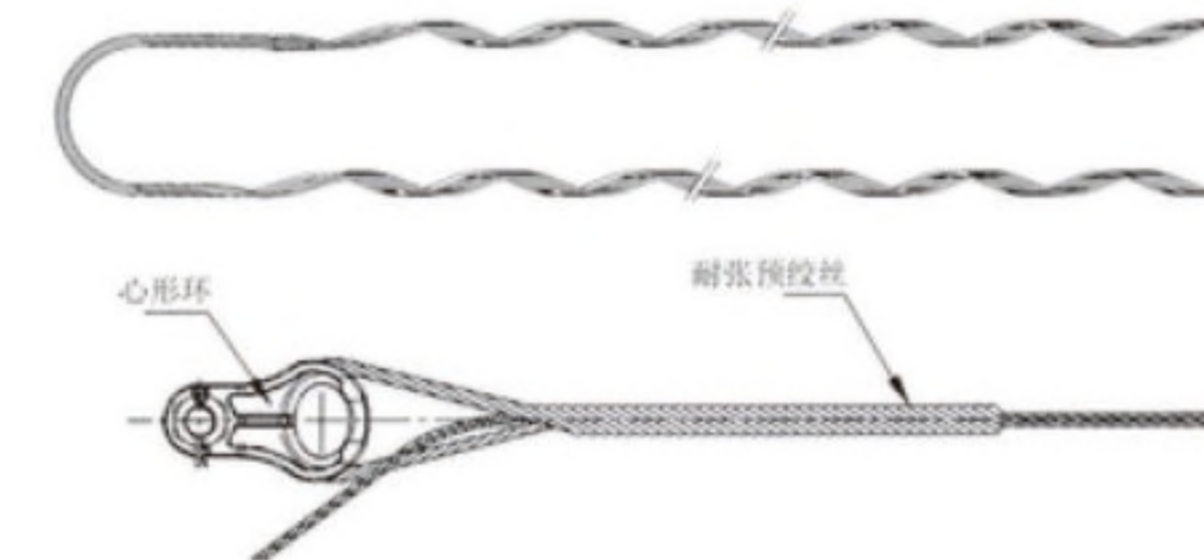
用于架空线路的地线耐张杆塔上的固定；设计独特，结构简单，安全可靠，可代替常规的螺栓型耐张线夹、压缩型耐张线夹及楔型耐张线夹。与配套的心型环及其他连接金具一起固定在耐张杆塔上。

It is used in fixing the ground wire on strain tower of aerial line. It has characteristics of unique design, simple structure and safety and reliable. It could replace routine bolt strain clamp, compression-type strain clamp and wedge shape strain clamp. It could be equipped with thimble and other connecting fittings fixed on strain pole and tower.

地线耐张线夹分为 Earth wire strain clamp divided into

镀锌钢绞线用预绞式地线耐张线夹 Helical earth wire strain clamp for galvanized steel stranded wire

铝包钢绞线用预绞式地线耐张线夹 Helical earth wire strain clamp for aluminum steel stranded wire



材料 Material

产品由镀锌钢丝、铝包钢丝等材料制造。

It is produced by galvanized steel wire and aluminum clad steel wire.

产品特点 Characteristics

线夹握力大，安全性能高。用于镀锌钢绞线和钢包钢绞线等地线的安装，预绞式耐张线夹握力可达到100%绞线计算拉断力 (CUTS) 或以上。

It has big grip and high safety performance. It used in the installation of ground wire, such as galvanized steel strand wire and steel clad steel strand wire. The grip of helical strain clamp could reach to 100% strand wire calculated dragging force at break (CUTS) or above.

预绞式线夹安装简单，便于施工，无需任何专用工具，一人便能可靠完成操作，而且安装质量易于保证，一致性高，用肉眼即可现场检验。

Helical strain clamp has characteristics of easy installation, simple construction, no special tool required, good consistency, only one person could finish the operation; It is very simple to ensure the installation quality, inspect with naked eyes on the spot.

线夹耐腐蚀性好；材质与地线完全一致，保证线夹具有较强的抗电化学腐蚀的能力。线夹采用螺旋形设计，提高了线路抗振能力，应力分布均匀，不损伤线路，延长了线路的使用寿命。

The clamp has good corrosion resistance. The material is same with conductor, which could ensure the clamp has strong anti-electrochemical corrosion capacity. The clamp adopts spiral design, which improve the anti-vibration capacity of conductor, distribute the stress uniformly, no damage for the conductor, prolong the service life of conductor.

钢绞线地线用预绞式耐张线夹选型表
Selection of Helical Tension Set for Stranded Galvanized steel Ground Wire

公司产品型号 Type	对应DL/T763-2001 标准型号 Standard DL/T 763-2001 Reference	适用导线直径范围 Available Dia. of Conductor (mm)	适用地线类型 Suitable Ground wire (YD/T5004- 1993) (mm ²)	线夹长度 Clamp Length (mm)	色标 Color Code	重量 Weight (kg)
DNL 3325	NL-25/G	6.60	25	636	黄 Yellow	0.2
DNL 3335	NL-35/G	7.65-7.95	35	712	黑 Black	0.3
DNL 3350	NL-50/G	8.95-9.30	50	903	绿 Green	0.55
DNL 3370	NL-70/G	10.82-11.10	70	1018	蓝 Blue	0.85
DNL 3395	NL-95/G	12.50	95	1335	红 Red	1.7
DNL 3100	NL-100/G	13.00	100	1335	绿 Green	1.71
DNL 3120	NL-120/G	14.00	120	1464	蓝 Blue	2.2

备注：表中未涵盖公司所有产品，如有需要请与本公司联系。
Remark: Not all products listed in the form. Please contact our company if you have any requirement.

铝包钢绞线地线用预绞式耐张线夹选型表
Selection of Helical Tension Set for Concentric-lay-stranded Aluminum-clad Steel Ground Wire

公司产品 型号 Type	对应DL/T763-2001标准型号 Standard DL/T763-2001 Reference	适用导线直径范围 Available Dia. of Conductor (mm)	线夹长度 Clamp Length (mm)	色标 Color Code	重量 Weight (kg)
DNL 0585		5.56-5.85	540	蓝 Blue	0.1
DNL 0600		5.86-6.0	540	绿 Green	0.15
DNL 0628		6.01-6.28	610	黄 Yellow	0.17
DNL 0650		6.29-6.56	565	黑 Black	0.17
DNL 0684		6.57-6.84	580	紫 Purple	0.18

铝包钢绞线地线用预绞式耐张线夹选型表
Selection of Helical Tension Set for Concentric-lay-stranded Aluminum-clad Steel Ground Wire

公司产品 型号 Type	对应DL/T763-2001标准型号 Standard DL/T763-2001 Reference	适用导线直径范围 Available Dia. of Conductor (mm)	线夹长度 Clamp Length (mm)	色标 Color Code	重量 Weight (kg)
DNL 0712		6.85-7.12	630	红 Red	0.26
DNL 0740		7.13-7.4	630	蓝 Blue	0.27
DNL 0767		7.41-7.67	640	绿 Green	0.29
DNL 0795		7.68-7.95	680	黄 Yellow	0.31
DNL 0823		7.96-8.23	680	黑 Black	0.32
DNL 0854		8.24-8.54	680	紫 Purple	0.34
DNL 0869		8.55-8.69	750	红 Red	0.38
DNL 0902		8.71-9.02	775	蓝 Blue	0.45
DNL 0925		9.03-9.25	825	绿 Green	0.5
DNL 0963		9.26-9.63	820	黄 Yellow	0.51
DNL 1001		9.64-10.01	850	黑 Black	0.54
DNL 1039		10.02-10.39	890	紫 Purple	0.65
DNL 1082		10.40-10.82	920	红 Red	0.69
DNL 1123		10.83-11.23	950	蓝 Blue	0.75
DNL 1166		11.24-11.66	990	绿 Green	0.81
DNL 1204		11.67-12.04	1010	黄 Yellow	0.85
DNL 1255		12.05-12.55	1030	黑 Black	1.01
DNL 1308		12.56-13.08	1130	紫 Purple	1.14
DNL 1361		13.09-13.61	1210	红 Red	1.5
DNL 1410		13.62-14.10	1250	蓝 Blue	1.5
DNL 1418		14.11-14.48	1270	绿 Green	1.5
DNL 1501		14.49-15.01	1290	黄 Yellow	1.5

备注：表中未涵盖公司所有产品，如有需要请与本公司联系。
Remark: Not all products listed in the form. Please contact our company if you have any requirement.

预绞式拉线耐张线夹 (Helical Tension Set for Guy)

预绞式拉线耐张线夹用于固定杆塔、铁塔、微波塔等拉线，产品设计独特，结构简单。预绞丝双腿绞合形成空管，空管缠绕在拉线上时即可产生强握紧力，安全可靠，可替代目前在线路塔杆上常用的固定拉线的楔形线夹U-T线夹等，与配套的心型环及其他连接金具一起使用，以固定在地锚或塔杆上。

Helical strain clamp is used in fixing stay wire on pole town, steel tower and microwave tower etc. It has unique design and simply structure. The helical rods twisted and formed blank pipe, which twisted on the stay wire, so it produces strong grip, it is safe and reliable. It could replace current common wedge clamp, U-T clamp for fixing stay wire on the line tower. It could be used with heart ring and other connecting fittings together for fixing on ground anchor or tower pole.



材料 Material

产品由镀锌钢丝、铝包钢丝等材料制造。
It is made of galvanized steel wire and aluminum steel wire.

产品特点 Characteristics

线夹握力大,安全性能高。用于镀锌钢绞线和钢包钢绞线等地线的安装, 预绞式耐张线夹握力可达到100%绞线计算拉断力(CUTS)或以上。

It has big grip and high safety performance. It used in the installation of ground wire, such as galvanized steel strand wire and steel clad steel strand wire. The grip of helical strain clamp could reach to 100% strand wire calculated dragging force at break (CUTS) or above.

预绞式线夹安装简单,便于施工,无需任何专用工具,一人便能可靠完成操作,而且安装质量易于保证,一致性强,用肉眼即可现场检验。

Helical strain clamp has characteristics of easy installation, simple construction, no special tool required, good consistency, only one person could finish the operation; It is very simple to ensure the installation quality, inspect with naked eyes on the spot.

线夹耐腐蚀性好;材质与地线完全一致,保证线夹具有较强的抗电化学腐蚀的能力。

The clamp has good corrosion resistance. The material is same with conductor, which could ensure the clamp has strong anti-electrochemical corrosion capacity.

通用性强;可与多种金具配套使用,是解决大拉线的最佳选择。

It has strong applicability. It could be used with many kinds of fittings together. It is the best choice for solving big stay wire.

钢绞线拉线用预绞式耐张线夹选型表

Selection of Helical Tension Set for Stranded Galvanized steel Ground Wire

公司产品型号 Type	对应DL/T763-2001 标准型号 Standard DL/T 763-2001 Reference	适用导线直径范围 Available Dia.of Conductor(mm)	适用地线类型 Suitable Ground wire (YD/T5004- 1993) (mm ²)	线夹长度 Clamp Length (mm)	色标 Color Code	重量 Weight (kg)
DNL 3325	NL-25/G	6.60	25	640	黄 Yellow	0.2
DNL 3335	NL-35/G	7.65-7.95	35	720	黑 Black	0.3
DNL 3350	NL-50/G	8.95-9.30	50	910	绿 Green	0.55
DNL 3370	NL-70/G	10.82-11.10	70	1020	蓝 Blue	0.85
DNL 3395	NL-95/G	12.50	95	1340	红 Red	1.7
DNL 3100	NL-100/G	13.00	100	1340	绿 Green	1.71
DNL 3120	NL-120/G	14.00	120	1470	蓝 Blue	2.2

备注:表中未涵盖公司所有产品,如有需要请与本公司联系。

Remark: Not all products listed in the form. Please contact our company if you have any requirement.

配套金具 Fittings

碗头挂环 (图1) So cket clevis (Figure 1)

本体: 热镀锌球墨铸铁

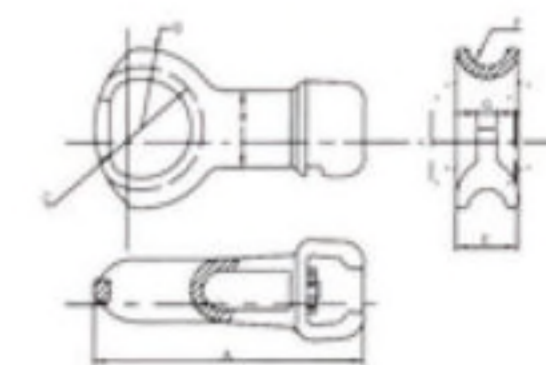
螺栓: 热镀锌钢制件

开口销: 不锈钢/青铜

Body: hot-dip galvanizing nodular cast iron

Bolt: Hot-dip galvanizing steel work

Cotter pin: Stainless steel/bronze



(图1)

碗头挂环 So cket clevis

产品型号 Product model	破坏强度 Breaking strength (kN)	重量 Weight (kg)	尺寸Size (mm)						
			A	B	C	D	E	F	G
WQX-7	70	0.75	135	40	R32	R42	32	R10	10

注:碗头挂环可与XP-7型绝缘子配合使用。

Note: The so cket clevis could be used with XP-7 insulator.

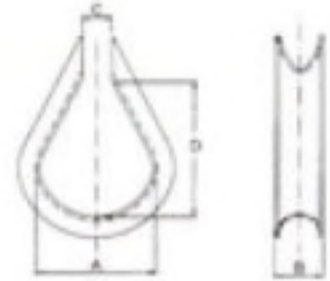
注意:

- 1、不要在线夹上搭接。在线夹前后的导线上进行搭接是允许的;
- 2、不要将线夹用于夹空地线;
- 3、在初始安装之后,不要再次使用线夹;
- 4、线夹和导线的旋向应保持一致。标准的线夹是右旋,如需要左旋产品请向伟创公司咨询。

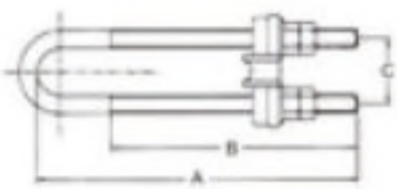
Attention :

1. Don't lap on the clamp. Lap on front and back of clamp of conductor is permitted.
2. Don't use clamp on aerial ground wire.
3. After the initial installation, don't reuse the clamp.
4. The turning director of clamp and conductor should be keep uniform standard. The standard clamp is right turning. If left turning clamp required, please consult Weichuang Company.

配套金具 Fittings
鸡心环 Thimble ring

 材料: 热镀锌钢
 Material: Hot-dip galvanized steel

鸡心环 Thimble ring

产品型号 Model	适用拉线截面积 (mm ²) Sectional area of suitable stay wire	尺寸 Size (mm)				重量 (kg)
		A	B	C	D	
JXH-2535	25-35	40	18	19	64	0.07
JXH-5070	50、70	43	18	22	70	0.08
JXH-95100	95、100	56	19	30	90	0.11

可调线夹 Adjustable clamp

可调线夹 Adjustable clamp

产品型号 Model	适用拉线截面积 (mm ²) Sectional area of suitable stay wire	尺寸 Size (mm)			重量 Weight (kg)
		A	B	C	
NUT-10	25、35	225	175	56	1.8
NUT-20	50、70	260	200	62	2
NUT-30	95、100	305	240	74	3.4

 注: 伟创公司可以根据需要配防盗螺母。
 Note: Weichuang Company could provide theftproof nut according to requirement

防盗环 Anti-theft ring

防盗环 Anti-theft ring

产品型号 Model	适用产品型号 Applicable product model	每 100 个重量 (kg) Weight of 100 Pcs (kg)
FH-DNL70	DNL-10025	0.5
	DNL-10035	
	DNL-10050	
	DNL-10070	
FH-DNL100	DNL-10095	1.0
	DNL-10100	

可配合使用的金具配件 Fittings could be used

地锚 Ground anchor



隔离绝缘子 Insulator


电力预绞式悬垂线夹 Helical Suspension Set for Transmission Line

预绞式悬垂线夹由预绞丝、悬垂夹及橡胶夹等组成, 用于将导线固定在直线杆塔的绝缘子串上, 或将地线悬挂在直线杆塔上, 可替代目前线路上使用的XGU、XGF等船型悬垂线夹。

Helical suspension clamp is composed of helical rod, suspension clamp and rubber. It is used in fixing the conductor on the insulator chain of straight pole tower, or hanging the ground wire on the straight pole tower. It could replace the current used XGU, XGF ship suspension clamps on the line.

预绞式悬垂线夹利用双曲线腰鼓形减振垫包住导线, 具有握力大、电晕小、重量轻、磁损小的特点, 特别适合于重冰区、大跨越线路工程。

Helical suspension clamp wrap the conductor by hyperbolic waist drum shape anti-vibration pad. It has characteristics of big grip, small corona, light weight and small magnetic damage. It is particularly suited for heavy ice area and long-span line engineering.

悬垂线夹可分为 Suspension clamp could be divided into

预绞式导线悬垂线夹 Helical conductor suspension clamp

预绞式地线悬垂线夹 Helical ground wire suspension clamp

预绞式悬垂线夹产品装配示意图 (Sketch Map for Product Assembly)

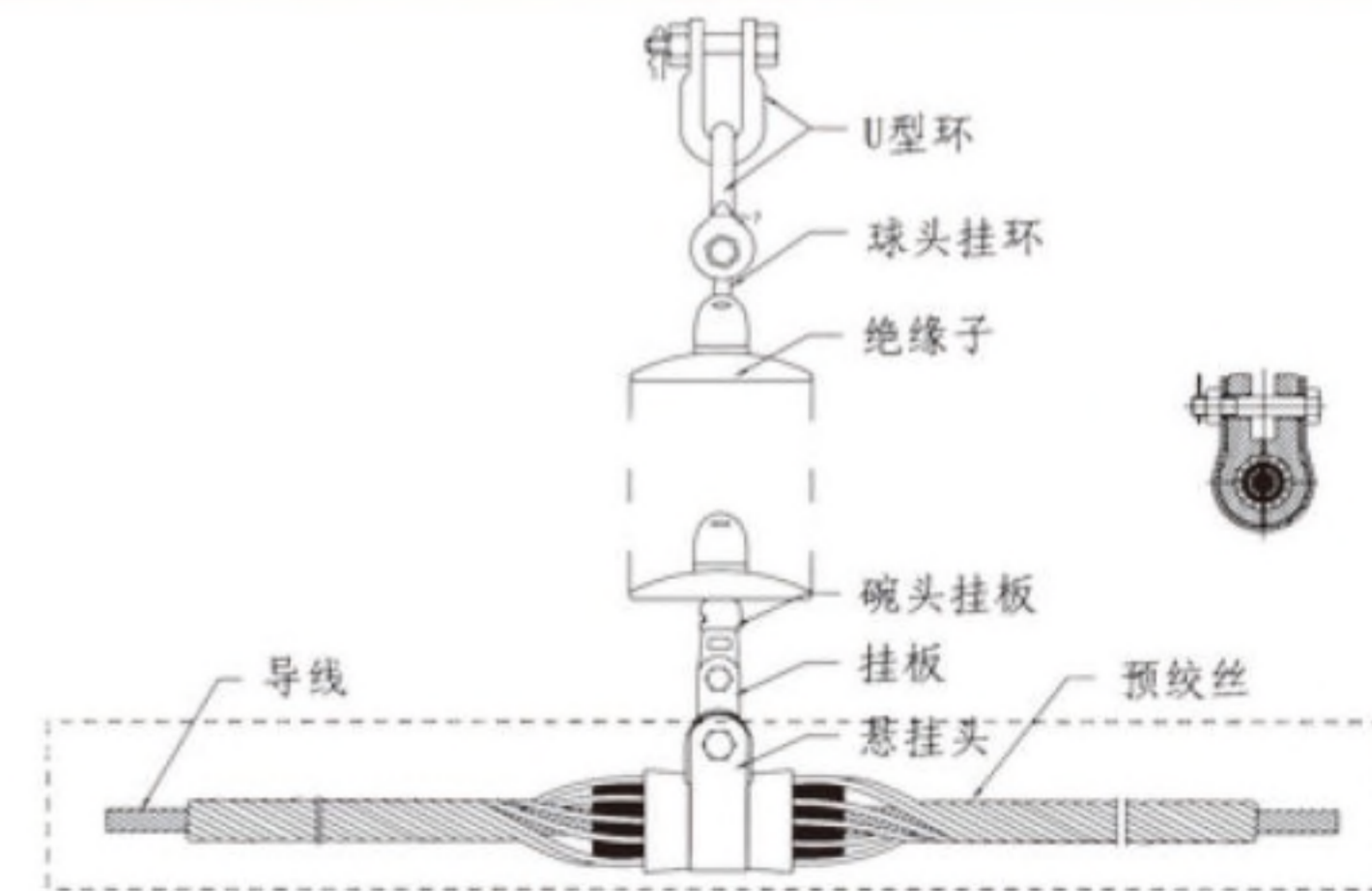


图1 单支点悬垂线夹 Single point suspension set

 注: 在没有特别要求的情况下, 本公司产品仅包含虚线框中的构件。
 Note: Our company's products only include the member in dotted line circle in the event of without any special requirement.

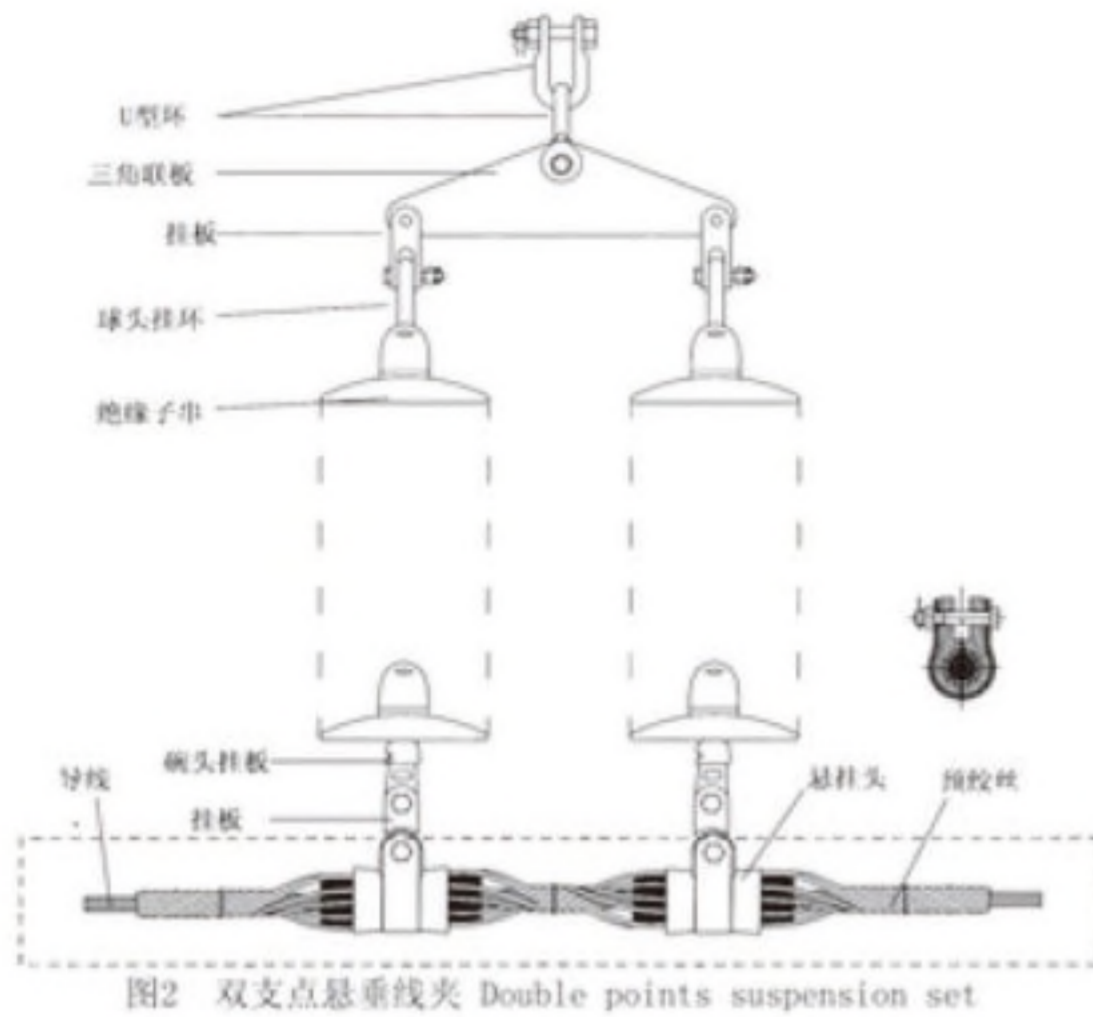


图2 双支点悬垂线夹 Double points suspension set

注：在没有特别要求的情况下，本公司产品仅包含虚线框中的构件。

Note: Our company's products only include the member in dotted line circle in the event of without any special requirement.

产品特点 Characteristics

与普通悬垂线夹相比，预绞式悬垂线夹与导线接触面积更大，应力分布均匀，有效减小了导线所受静态应力和微风振动引起的动态应力，避免了导线受损伤。

悬垂线夹预绞丝材料与导线材质相符，抗腐蚀性能高，具有很好的弹性和强度，提高了导线抗疲劳特性，延长了线路的使用寿命。

Compare with general suspension clamp, helical suspension clamp has much more contact area with conductor and ground wire. The stress distributed uniformly, which decrease static stress received by conductor effectively and dynamic stress caused from aeolian vibration, avoid damage of conductor. The material of suspension clamp helical armor rod is same with the material of conductor and ground wire, it has high anti-corrosion resistance, good elastic and strength. It improves the fatigue resistance of conductor and prolong the service life of line. 悬垂线夹预绞丝尾端磨圆处理，避免尖端放电，电气性能良好。

Rounding treatment at tail end of suspension clamp helical armor rod for avoiding point discharge. It has good electric property.

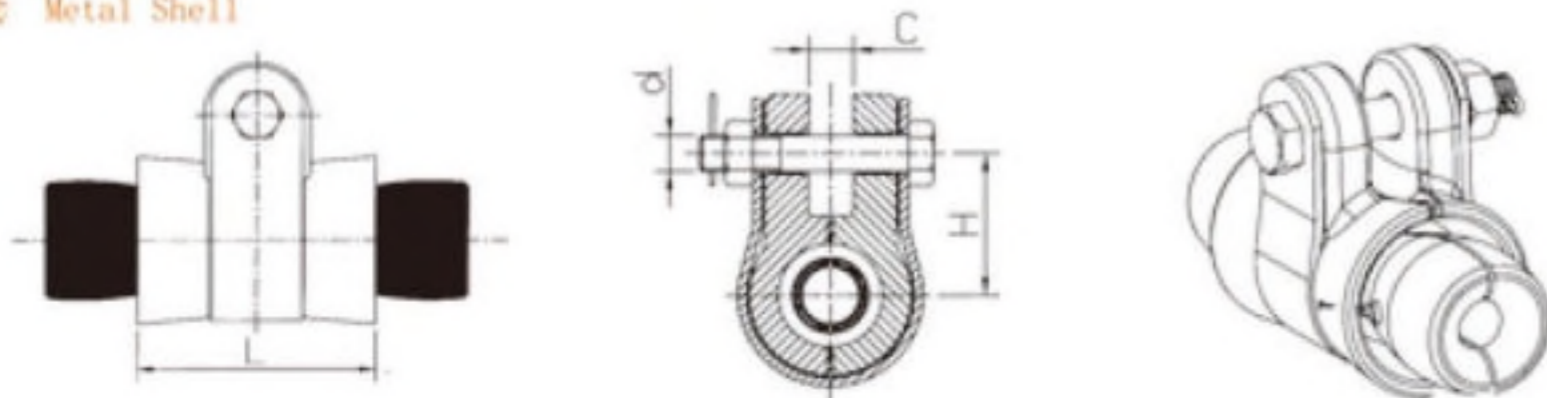
特殊的结构设计，可降低电磁损耗并消除电晕放电，较传统悬垂线夹具有明显的节能特性。

Special structure design could reduce the loss of electromagnetism and eliminate the corona discharge, It has obvious property of energy-saving comparing with traditional suspension clamp.

增强了导线挂点的刚度，增大了曲率半径，单支点线夹可达300转向角，双支点线夹可达600转向角。

It enhanced the rigidity of suspension point of conductor, increase the radius of curvature, the single pivot clamp could reach steering angle of 300, the double pivots clamp could reach steering angle of 600.

金属壳套 Metal Shell



悬挂头规格 Type of Suspension Shell	主要尺寸 Main dimensions (mm)				重量 Weight(kg)	垂直破坏强度 Vertical Breaking load (kN)
	D	L	H	C		
XGT-80	M16	80	50	20	0.74	50
XGT-90	M16	90	50	19	0.96	60
XGT-95	M16	95	55	19	1.28	70
XGT-114	M16	114	60	22	1.70	100
XGT-125	M16	125	64	22	1.97	120
XGT-135	M18	135	68	30	2.60	130

预绞式导线悬垂线夹 (Helical Suspension Set for Conductor)

钢芯铝绞导线单支点/双支点用预绞式悬垂线夹选型表

Selection of Single/Double points Helical Suspension Set for ACSR Conductor

当转向角在300-600之间，或大跨越工程中，推荐使用双支点悬垂线夹直接与绝缘子串相连。

We recommend using double point helical suspension set connected with insulator string directly, when project is lang span or line turning angle is between 300-600.

产品型号 Type	对应DL/T763-2001 标准型号 Standard DL/ T763-2001 Ref.	适用导线直径范围 Available Dia. of Conductor (mm)	线夹长度 Clamp Length (mm)	色标 Color Code	适用导线类型 Suitable Conductor LGJ/LGJF	垂直破坏强度 Breaking Load (kN)	配套金具 Fitting
A DCL 1092	CL-35/6	8.03-8.31	670	黄 Yellow	35/6	50/100	GHX-15
B DCLS 1092			980				
A DCL 1095	CL-50/8	9.53-9.88	670	黑 Black	50/8		
B DCLS 1095			980				
A DCL 1098	CL-70/10	11.05-11.45	920	蓝 Blue	70/10		
B DCLS 1098			1130				
A DCL 1099	CL-50/30	11.46-11.94	920	绿 Green	50/30		
B DCLS 1099			1230				
A DCL 1102	CL-70/40	13.49-13.78	1050	红 Red	70/40		
B DCLS 1102			1360				
A DCL 1103	CL95/20	13.79-14.10	1130	黄 Yellow	95/20		
B DCLS 1103			1480				
A DCL 1104	CL-120/7	14.11-14.56	1130	黑 Black	120/7		
B DCLS 1104			1480				
A DCL 1105	CL-120/20	14.57-15.10	1150	蓝 Blue	120/20		
B DCLS 1105			1480				
A DCL 1108	CL-95/55 CL-120/25 CL-150/8	15.75-16.39	1270	绿 Green	95/55 120/25 150/8		
B DCLS 1108			1680				

产品型号 Type	对应DL/T763-2001 标准型号 Standard DL/ T 763-2001 Ref.	适用导线直径范围 Available Dia. of Conductor (mm)	线夹长度 Clamp Length (mm)	色标 Color Code	适用导线类型 Suitable Conductor LGJ/LGJF	垂直破断强度 Breaking Load (KN)	配套金具 Fitting
A DCL 4121	CL-150/20	16.40-17.10	1380	红 Red	150/20	70/140	
B DCLS 4121	CL-150/25		1840		150/25		
A DCL 4122	CL-150/35	17.11-17.54	1380	黄 Yellow	150/35		
B DCLS 4122			1840		150/35		
A DCL 4123	CL-120/70	17.55-18.04	1380	黑 Black	120/70		
B DCLS 4123	CL-185/10		1840		185/10		
A DCL 4124	CL-185/25	17.55-18.04	1430	蓝 Blue	185/25		
B DCLS 4124	CL-180/30		1840		185/30		
	CL-210/10				210/10		
A DCL 4125	CL-185/45	19.52-20.10	1530	绿 Green	185/45	100/200	GHX-20
B DCLS 4125	CL-210/25		1990		210/25		
A DCL 4126	CL-210/35	20.11-20.94	1560	红 Red	210/35	100/200	GHX-20
B DCLS 4126	CL-210/50		1990		210/50		
A DCL 4127	CL-240/30	21.48-22.09	1630	黄 Yellow	240/30		
B DCLS 4127	CL-240/40		2090		240/40		
A DCL 4128	CL-240/55	22.10-22.69	1660	黑 Black	240/55		
B DCLS 4128			2090		240/55		
A DCL 4129	CL-300/15	22.70-23.05	1660	蓝 Blue	300/15	100/200	GHX-20
B DCLS 4129			2090		300/15		
A DCL 4130	CL-300/20	23.39-23.79	1680	绿 Green	300/20	100/200	GHX-20
B DCLS 4130	CL-300/25		2300		300/25		
A DCL 4131	CL-300/40	23.80-24.45	1710	红 Red	300/40		
B DCLS 4131	CL-300/50		2300		300/50		
A DCL 4132	CL-300/70	25.08-25.54	1760	黄 Yellow	300/70		
B DCLS 4132			2300		300/70		
A DCL 4134	CL-400/20	26.43-27.29	2090	黑 Black		130/260	GHX-25
B DCLS 4134	CL-400/25		2750				
A DCL 4135	CL-400/50	27.30-27.69	2110	蓝 Blue	400/50		
B DCLS 4135			2750		400/50		
A DCL 4136	CL-400/65	27.70-28.40	2110	绿 Green	400/65		
B DCLS 4136			2750		400/65		
A DCL 4137	CL-400/95	28.88-29.26	2110	红 Red	400/95		
B DCLS 4137			2750		400/95		

备注: 1)A——单支点 (Single point); B——双支点 (Double points)
 2) 钢芯铝绞线单支点/双支点用预绞式导线悬垂线夹的原材料为铝包钢或铝合金线;
 2) Raw material of helical conductor suspension clamp for steel-core aluminum single pivot/double-pivot is aluminum coated-steel or helical ground wire suspension clamp;
 3) 表中未涵盖公司所有产品, 如有需要请与本公司联系。
 3) Not all products listed in the form. Please contact our company if you have any requirement.

铝绞线导线单支点/双支点用预绞式悬垂线夹选型表
 Selection of Single/Double points Helical Suspension Set for Aluminum Stranded Conductor

产品型号 Type	对应DL/T763-2001 标准型号Standard DL/T763-2001 Ref.	适用铝绞线 直径范围 Available Dia. of Conductor (mm)	线夹长度 Clamp Length (mm)	色标 Color Code	适用导线类型 (铝绞线LJ) Suitable conductor GB1179-83 (mm ²)	垂直破断强度 Vertical Breaking Load (KN)	配套金具 Fitting
A DCL 4115	CL-95	12.24-12.69	1020	绿 Green	95	60/120	GHX-15
B DCLS 4115			1360				
A DCL 4117	CL-120	13.79-14.10	1130	黄 Yellow	120		
B DCLS 4117			1480				
A DCL 4120	CL-150	15.75-16.39	1280	绿 Green	150		
B DCLS 4120			1690				
A DCL 4122	CL-185	17.11-17.54	1380	黄 Yellow	185	70/140	
B DCLS 4122			1840				
A DCL 4124	CL-210	18.59-19.00	1430	蓝 Blue	210		
B DCLS 4124			1840				
A DCL 4125	CL-240	19.52-20.10	1530	绿 Green	240	100/200	GHX-20
B DCLS 4125			1990				
A DCL 4128	CL-300	22.10-22.69	1660	黑 Black	300		
B DCLS 4128			2090				
A DCL 4133	CL-400	25.55-25.97	2040	绿 Green	400	130/260	GHX-25
B DCLS 4133			2750				

备注: 1)A——单支点 (Single point); B——双支点 (Double points)
 2) 铝绞线单支点/双支点用预绞式导线悬垂线夹的原材料为铝合金线;
 2) Raw material of helical conductor suspension clamp for aluminum strand single pivot/double pivots is aluminum alloy wire.
 3) 表中未涵盖公司所有产品, 如有需要请与本公司联系。
 3) Not all products listed in the form. Please contact our company if you have any requirement.

预绞式地线悬垂线夹 (Helical Suspension Set for Ground wire)

镀锌钢绞线地线单支点/双支点用预绞式悬垂线夹选型表

Selection of Single/Double points Helical suspension Set for Galvanized Stranded steel Ground wire

产品型号 Type	对应DL/T763-2001 标准型号Standard DL/T763-2001 Reference	适用钢绞线 直径范围 Available Dia. of Conductor(mm)	适用导线类型 Suitable Conductor GB1200-75		线夹长度 Clamp Length (mm)	色标 Color Code	破断强度 Breaking Load(KN)	配套金具 Fitting				
			外径D (mm)	绞线结构 Configuration								
A DCL 4210	CL-1/G	6.90-7.20	7.0	19#	660	黄 Yellow	40/80	GHX-15				
B DCLS 4210	CL-1/GS				960							
A DCL 4211	CL-4/G	7.72-8.01	7.8(35)	7#	660	红 Red						
B DCLS 4211	CL-4/GS				960							
A DCL 4212	CL-6/G	8.32-8.69	8.4	7#	660	蓝 Blue						
B DCLS 4212	CL-6/GS				960							
A DCL 4213	CL-7/G	8.70-9.03	9.0(50)	7#/19#	660	绿 Green						
B DCLS 4213	CL-7/GS				960							
A DCL 4214	CL-9/G	9.53-9.89	9.6	7#	660	黑 Black			40/80	GHX-15		
B DCLS 4214	CL9/GS				960							
A DCL 4215	CL-10/G	9.90-10.27	10.0	19#	900	黄 Yellow						
B DCLS 4215	CL-10/GS				1220							
A DCL 4216	CL-11/G	10.28-10.62	10.5	7#	900	红 Red	50/100	GHX-15				
B DCLS 4216	CL-11/GS				1220							
A DCL 4217	CL-12/G	10.63-11.03	11(70)	19#	900	蓝 Blue						
B DCLS 4217	CL-12/GS				1220							
A DCL 4218	CL-13/G	11.04-11.43	11.4	7#	900	绿 Green					50/100	GHX-15
B DCLS 4218	CL-13/GS				1220							
A DCL 4219	CL-15/G	11.96-12.22	12	7#/19#	900	黑 Black						
B DCLS 4219	CL-15/GS				1220							
A DCL 4220	CL-16/G	12.23-12.70	12.5(9.5)	19#	1150	红 Red						
B DCLS 4220	CL-16/GS				1450							

备注: 1)A——单支点 (Single point); B——双支点 (Double points)

2)表中未涵盖公司产品, 如有需要请与本公司联系。

2)Not all products listed in the form. Please contact our company if you have any requirement.

 铝包钢绞线地线单支点/双支点用预绞式悬垂线夹选型表
 Selection of Single/Double points Helical Suspension Set for
 Concentric-lay-stranded Aluminum-clad Steel Ground wire

产品型号 Type	对应DL/T763-2001 标准型号Standard DL/T763-2001 Reference	适用铝包钢线 直径范围 Available Dia. of Conductor (mm)	适用良导体钢芯 铝绞线类型 Suitable Good ConductorACSR	线夹长度 Clamp Length (mm)	色标 Color Code	破断强度 Failure Load(KN)	配套金具 Fitting
B DCLS 5312	990						
A DCL 5313		7.71-8.01		690	绿 Green		
B DCLS 5313				990			
A DCL 5314		8.02-8.31		690	黑 Black		
B DCLS 5314				990			
A DCL 5315		8.32-8.69		690	黄 Yellow		
B DCLS 5315				990			
A DCL 5316		8.70-9.03		690	红 Red		
B DCLS 5316				990			
A DCL 5317		9.04-9.50		690	蓝 Blue		
B DCLS 5317				990			
A DCL 5318		9.51-9.89		690	绿 Green		
B DCLS 5318				990			
A DCL 5319		9.90-10.27		940	黑 Black	50/100	GHX-15
B DCLS 5319				1250			
A DCL 5320		10.28-10.62		940	黄 Yellow		
B DCLS 5320				1250			
A DCL 5321		10.63-11.03		940	红 Red		
B DCLS 5321				1250			
A DCL 5322		11.04-11.43		940	蓝 Blue		
B DCLS 5322				1250			
A DCL 5323		11.44-11.95		940	绿 Green		
B DCLS 5323				1250			
A DCL 5324		11.96-12.22		940	黑 Black		
B DCLS 5324				1250			

备注: 1)A——单支点 (Single point); B——双支点 (Double points)

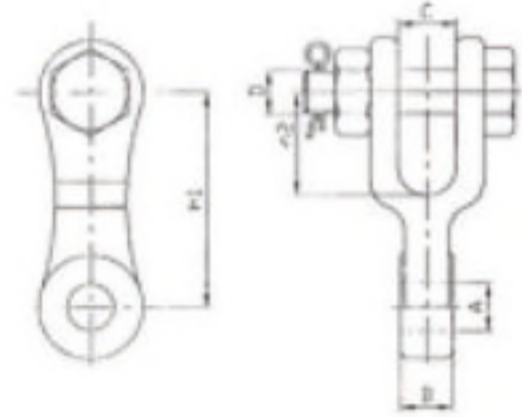
2)铝包钢绞线单支点/双支点用预绞式导线悬垂线夹的原材料为铝包钢线;

 2)Raw material of helical conductor suspension clamp for aluminum clad steel strand wire
 single pivot/double pivots is aluminium-clad steel wire.

3)表中未涵盖公司产品, 如有需要请与本公司联系。

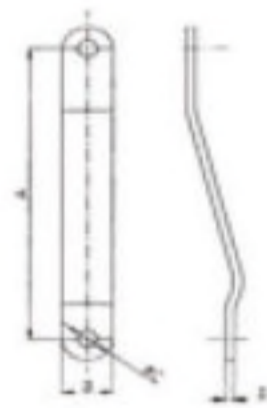
3)Not all products listed in the form. Please contact our company if you have any requirement.

配套金具 (Fittings)



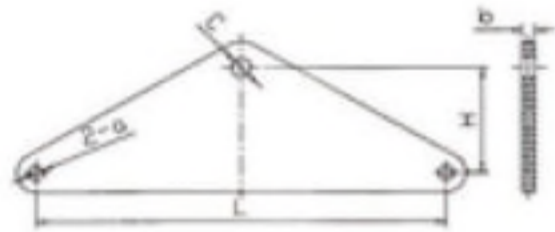
平行拉环 Parallel Ring

产品型号 Model	主要尺寸 Dimensions (mm)						垂直破断强度 Vertical Breaking Load (kN)
	A	B	C	D	h1	h2	
GHX-70	18	14	21	16	79	38	70
GHX-90	18	19	21	16	79	38	90
GHX-110	21	27	21	16	79	38	110



连接板 Link Plate

产品型号 Type	主要尺寸 Main dimensions (mm)				破坏载荷 Breaking Load (kN)
	A	B	C	D	
LB-25	305	45	φ18	8	110
LB-40	400	45	φ18	8	110
LB-50	500	45	φ18	8	110



三角挂板 Triangle Link

产品型号 Model	主要尺寸 Dimensions (mm)					破坏载荷 Breaking Load (kN)	垂直破断强度 Vertical Breaking Load (kN)
	A	B	C	H	L		
L-1240	18	16	24	70	400	120	4.55
L-1250	18	16	24	130	500	120	7.66
L-1260	18	16	24	160	600	120	10.3

电力预绞式接续金具 Helical Splice Fittings for Transmission Line

接续条产品分为 Splicing slip divided into

- 预绞式导线接续条 Helical conductor splicing
- 预绞式地线接续条 Helical ground wire splicing
- 预绞式拉线接续 Helical stay splicing

性能及特点 Property and characteristics

当钢芯铝绞线外层铝线或铝导线全断时, 采用导线接续条修复, 可恢复100%的机械强度和电气性能。
When external layer aluminum wire of steel-cored aluminum strand wire or all aluminum conductors are broken, repair it by conductor splicing slip and 100% mechanical strength and electric property could be recovered.

钢芯铝绞线外层铝线和钢芯发生破坏时, 采用钢芯铝绞线用全张力接续条, 可恢复100%的机械强度和电气性能。
When external layer aluminum wire of steel-cored aluminum strand wire and steel core damaged, repair it by whole tensile force splicing for steel-core aluminum strand wire and 100% mechanical strength and electric property could be recovered.

T型接续条用于插接相同线径或不同线径的导线, 握力不小于导线额定拉断力的25%。
T splicing slip is used for joining conductors with same wire diameter or different diameter, the grip is not smaller than rated dragging force at break of conductor.

当钢绞线拉线/地线损伤时, 采用钢绞线拉线/地线接续条修复, 可恢复100%的机械强度。
When steel strand stay/grounding wire damaged, repair it by steel strand stay/ground wire splicing slid, which could recover 100% of mechanical strength.

预绞式导线接续条设计用于特定的场合, 并且只能使用一次, 任何情况下都不能重复使用。
Helical conductor splicing designed for using in special occasion, and only use once, don't reuse it in any case.

导线在安装接续条前必须将导线表面彻底清洁打磨, 去除氧化层后, 将与导线相匹配的导电脂涂抹在导线表面。
Before install splicing slip, clean and polish the conductor surface completely, remove the oxide layer and coat matching conductive grease on the surface of conductor.

预绞式导线接续条设计用于特定的场合, 并且只能使用一次, 任何情况下都不能重复使用。
Helical conductor splicing designed for using in special occasion, and only use once, don't reuse it in any case.

导线在安装接续条前必须将导线表面彻底清洁打磨, 去除氧化层后, 将与导线相匹配的导电脂涂抹在导线表面。
Before install splicing slip, clean and polish the conductor surface completely, remove the oxide layer and coat matching conductive grease on the surface of conductor.

预绞式导线接续条设计用于特定的场合, 并且只能使用一次, 任何情况下都不能重复使用。
Helical conductor splicing designed for using in special occasion, and only use once, don't reuse it in any case.

预绞式导线接续条 (Helical Splice Rod for Conductor)

产品性能及用途 Property and application

预绞式接续条用来连接导线两端, 代替常规的钳压接续管和压接管, 预绞式接续金具可分为导线接续条、钢芯铝绞线用全张力接续条、T型连接条、预绞式(钢绞线拉线/地线用) 接续条、铝包钢绞线用接续条。每类产品依据使用环境和线路材料的不同, 均有钢芯铝绞线用、铝绞线用、钢绞线用三个系列。

除钢芯铝绞线用全张力接续条外, 所有接续条都为单层预绞丝; 钢芯铝绞线用全张力接续条由内层钢芯接续条、填充条和外层接续条三层接续条组成。

Helical splicing is used for connecting two ends of conductor, replace the routine clamp press splicing sleeve and compression coupling pipe. Helical splicing fittings are divided into conductor splicing, whole tension splicing for steel-core aluminum strand wire, T splicing slip, helical splicing slip (for steel strand stay/ground wire) and splicing slip for aluminum coated steel strand wire. Each kind of product has three series for steel-core aluminum strand wire, aluminum strand wire and steel strand wire according to different use environment and line material.

All splicing slip are single helical armor rod except the whole tension splicing slip for steel-core aluminum strand wire; The whole tension splicing slip for steel-core aluminum strand wire is composed of internal layer steel-core splicing slip, filling strip and external layer splicing slip.

产品示意图 (Sketch map of Closure and Terminal box)

预绞式导线接续条 (Helical Splice rod for Conductor)



钢芯铝绞线用预绞式全张力接续条 (Helical Full Tension Splice rod for ACSR)



产品特点 Characteristics

对于全铝、铝合金导线等单一材质的导线，预绞式接续条可完全恢复导线100%的计算拉断力。由于其内层涂覆有一层良好导电性能的导电砂，因而接续后在接续长度范围内提高了导线的导电性能。

预绞式接续条所用材料和导线一致，从而保证良好的抗腐蚀性能。

重量轻、富有弹性、抗振能力好、适应性强、使用寿命长。接续条的安装迅速、简单、方便，无需任何专用工具。

For all aluminum, aluminum alloy conductor with single material, the helical splicing slip could recover 100% calculated tensile force of conductor completely. A layer of conductive sand with good electric conductivity coated on its internal surface, so the electric conductivity of conductor improved within the range of splicing length after splicing. Material of helical splicing slip is same with conductor, so it ensures good corrosion resistance. It has advantages of light weight, elastic, good anti-vibration capacity, strong adaptability and long service life. The installation of splicing slip is rapid, easy and convenient, no special tools required.

产品选型 Product selection
钢芯铝绞线用预绞式导线接续条选型表 Selection of Helical Splice rod for ACSR Conductor

产品型号 Type	适用钢芯铝绞线直径范围 Available Conductor Dia. (mm)	适用导线类 钢芯铝绞线LGJ/LGJF GB1179-1983 (Suitable ACSR conductor)	色标 Color Code	线夹长度 Clamp Length (mm)
JXT 6510	4.40-4.90	10/2	红 Red	540
JXT 6511	5.30-5.70	16/3	黄 Yellow	590
JXT 6512	6.60-7.10	25/4	蓝 Blue	700
JXT 6513	8.00-8.60	35/6	绿 Green	800
JXT 6514	9.40-9.80	50/8	黑 Black	980
JXT 6515	11.30-11.75	50/30, 70/10	红 Red	1080
JXT 6516	13.30-13.80	90/15, 70/40	黄 Yellow	1310
JXT 6517	13.81-14.00	95/20	蓝 Blue	1330
JXT 6518	14.41-15.10	120/7, 120/20	绿 Green	1560
JXT 6519	15.60-16.20	120/25, 95/55, 150/8	黑 Black	1710
JXT 6520	16.50-17.00	150/20	红 Red	1760
JXT 6521	17.01-17.60	150/25, 150/35	黄 Yellow	1790
JXT 6522	17.80-18.20	120/70, 185/10	蓝 Blue	1970
JXT 6523	18.60-19.20	185/25, 185/30, 210/10	绿 Green	2020
JXT 6524	19.50-20.10	185/40, 210/25	黑 Black	2120
JXT 6525	20.20-20.96	210/35, 210/50	红 Red	2140
JXT 6526	21.50-21.64	240/30	黄 Yellow	2190
JXT 6527	21.65-22.50	240/40, 240/55	蓝 Blue	2530
JXT 6528	22.90-23.50	300/15, 300/20	绿 Green	2680
JXT 6529	23.60-24.30	300/25, 300/40, 300/50	黑 Black	2750
JXT 6530	24.90-25.40	300/70	红 Red	2830
JXT 6531	26.50-27.10	400/25	黄 Yellow	3080
JXT 6532	27.50-27.90	400/35, 400/50	蓝 Blue	3240
JXT 6533	27.91-28.20	400/65	绿 Green	3490
JXT 6534	29.00-29.50	400/95, 500, 35, 500/45	黑 Black	3890
JXT 6535	29.80-29.50	500/65	红 Red	3640

备注：钢芯铝绞线用预绞式导线接续条的原材料为铝合金线；表中未涵盖公司所有产品，如有需要请与本公司联系。

Remark: Raw material of helical conductor splicing for steel-core aluminum wire is aluminum alloy thread.

Not all products listed in the form. Please contact our company if you have any requirement.

**铝绞线用预绞式导线接续条选型表
Selection of Helical Splice rod for Aluminum Stranded Conductors**

产品型号 Type	对应 DL/T763-2001 标准型号 Standard DL/ T763-2001 reference	适用铝绞线 直径范围 Suitable Conductor Dia. (mm)	适用导线类 (GB1179-1983) Suitable Conductor	色标 Color Code	重量 Weight (kg)
			铝绞线LJ Aluminum Stranded Conductor		
JXT 6611		4.91-5.13	16	红 Red	570
JXT 6612		6.26-6.53	25	黄 Yellow	670
JXT 6613		7.35-8.26	35	蓝 Blue	720
JXT 6614		8.94-9.32	50	绿 Green	870
JXT 6615		10.52-10.8	70	黑 Black	1030
JXT 6616	JL-95/L	12.24-12.78	95	红 Red	1180
JXT 6617	JL-120/L	13.83-14.4	120	黄 Yellow	1330
JXT 6618	JL-150/L	15.72-16.36	150	蓝 Blue	1720
JXT 6619	JL-185/L	17.04-17.78	185	绿 Green	1790
JXT 6620	JL-210/L	18.53-19.30	210	黑 Black	2020
JXT 6621	JL-240/L	19.31-20.12	240	红 Red	2120
JXT 6622	JL-300/L	21.62-22.5	300	黄 Yellow	2530
JXT 6623	JL-400/L	25.61-26.67	400	蓝 Blue	3080
JXT 6624	JL-500/L	27.72-30.05	500	绿 Green	3590

备注：1. 铝绞线用预绞式导线接续条的原材料为铝合金线；

2. 表中未涵盖公司所有产品，如有需要请与本公司联系。

Remark: 1. Raw material of helical conductor splicing for aluminum strand wire is aluminum alloy wire;

2. Not all products listed in the form. Please contact our company if you have any requirement.

铝包钢绞线用预绞式导线接续条选型表

Selection of Helical Splice rod for Concentric-lay-stranded Aluminum-clad Steel Conductor

产品型号 Type	适用铝包钢绞线直径 Suitable Steel Stranded Dia. (mm)	色标 Color Code	线夹长度 Clamp Length (mm)
JXT 6711	5.56-5.85	黄 yellow	620
JXT 6712	5.86-6.00	蓝 blue	650
JXT 6713	6.01-6.28	绿 green	650
JXT 6714	6.29-6.56	黑 black	680
JXT 6715	6.85-7.12	紫 purple	700
JXT 6716	6.85-7.12	红 red	730
JXT 6717	7.13-7.40	黄 yellow	760
JXT 6718	7.41-7.67	蓝 blue	760
JXT 6719	7.68-7.95	绿 green	780
JXT 6720	7.96-8.23	黑 black	810
JXT 6721	8.24-8.54	紫 purple	810
JXT 6722	8.55-8.86	红 red	860
JXT 6723	8.87-9.25	黄 yellow	940
JXT 6724	9.26-9.63	蓝 Blue	960
JXT 6725	9.64-10.01	绿 Green	980
JXT 6726	10.02-10.39	黑 Black	1050
JXT 6727	10.40-10.82	紫 Purple	1060
JXT 6728	10.83-11.23	红 Red	1290
JXT 6729	11.24-11.66	黄 Yellow	1360
JXT 6730	11.67-12.04	蓝 Blue	1390
JXT 6731	12.05-12.55	绿 Green	1420
JXT 6732	12.57-13.08	黑 Black	1470

备注：铝包钢绞线用预绞式导线接续条的原材料为铝合金线；表中未涵盖公司所有产品，如有需要请与本公司联系。

Remark: Raw material of helical conductor splicing for aluminum clad steel strand wire is aluminum alloy wire;

Not all products listed in the form. Please contact our company if you have any requirement.

电力预绞式接续金具 Helical Splice Fittings for Transmission Line

钢芯铝绞线用全张力预绞式导线接续条选型表

Selection of Full Tension Helical Splice rod for ACSR Conductor

产品型号 Type	对应DL/T763-2001 标准型号Standard DL/ T 763-2001Ref.	适用导线类型 Suitable Conductor		色标 Color Code	线夹长度Clamp Length(mm)		
		GB1179-1983	GB1179-74		钢芯 Steel Core	填充条 Fill Bar	外层 Outer
QJL-50/8	JL-50/8	50/8	6/1	红 Red	510	无N11	1380
QJL-70/10	JL-70/10	70/10	6/1	黄 Yellow	410	410	1520
QJL-70/40	JL-70/40	70/40	12/7	蓝 Blue	750	无N11	2250
QJL-95/15	JL-95/15	95/15	26/7	绿 Green	520	520	1920
QJL-95/20	JL-95/20	95/20	7/7	黑 Black	520	520	1740
QJL-95/55	JL-95/55	95/55	12/7	红 Red	800	无N11	2520
QJL-95/0	JL-95/0	95	28/7	黄 Yellow	740	740	1890
QJL-120/20	JL-120/20	120/20	26/7	蓝 Blue	520	520	2070
QJL-120/25	JL-120/25	120/25	7/7	黄 Yellow	560	560	2170
QJL-120/0	JL-120/0	120	28/7	绿 Green	620	620	2230
QJL-150/0	JL-150/0	150	28/7	黑 Black	645	645	2400
QJL-150/20	JL-150/20	150/20	24/7	红 Red	645	645	2430
QJL-150/25	JL-150/25	150/25	26/7	黄 Yellow	645	645	2420
QJL-150/35	JL-150/35	150/35	30/7	蓝 Blue	690	690	2470
QJL-185/30	JL-185/30	185/30	26/7	绿 Green	670	670	2670
QJL-185/25	JL-185/25	185/25		黑 Black	640	640	2650
QJL-185/0	JL-185/0	185	28/7	红 Red	690	690	2700
QJL-210/25	JL-210/25	210/25	24/7	黄 Yellow	640	640	2750
QJL-240/0	JL-240/0	240	28/7	蓝 Blue	790	790	3230
QJL-240/30	JL-240/30	240/30	24/7	绿 Green	690	690	3080
QJL-240/40	JL-240/40	240/40		黑 Black	740	740	3090
QJL-240/0	JL-240/0	240	24/7	红 Red	690	690	3130
QJL-300(1)	JL-300(1)	300(1)	24/7	黄 Yellow	720	720	3410
QJL-300/25	JL-300/25	300/25	48/7	蓝 Blue	640	640	3770
QJL-300/40	JL-300/40	300/40	24/7	绿 Green	750	750	3440
QJL-300/0	JL-300/0	300	28/19	黑 Black	1050	1050	3670
QJL-400/25	JL-400/25	400/25	45/7	红 Red	640	640	4020
QJL-400/35	JL-400/35	400/35	48/7	黄 Yellow	700	700	4330
QJL-400/50	JL-400/50	400/50	54/7	蓝 Blue	795	795	4360
QJL-400/0	JL-400/0	400	28/19	绿 Green	1180	1180	4230
QJL-500/45	JL-500/45	500/45	48/7	黑 Black	790	790	4450
QJL-500/35	JL-500/35	500/35	45/7	红 Red	700	700	4460
QJL-500/65	JL-500/65	500/65	54/7	黄 Yellow	890	890	4730

备注：表中未涵盖公司所有产品，如有需要请与本公司联系。

Remark: Not all products listed in the form. Please contact our company if you have any requirement.

T型预绞式导线接续条 (Helical T-Splice rod for ACSR Conductor)

T型接续条示意图 T splicing slip diagram



a) T型接续条 T-Splice rod

b) 安装示意图 Installation sketch map

用途 Use

主要用于主导线与叉接导线的T型连接。

It is mainly used in T connection of main conductor and branch conductor.

产品特点 Characteristics

T型接续条的握力不小于小直径导线额定拉断力的25%。

导电性达到小直径导线导电性能的100%。

安装方便，无需任何专用工具。

预绞丝材质与导线完全一致，具备优异的抗电化学腐蚀能力。

The grip of T splicing slip is not smaller than 25% of rated dragging force at break of diameter conductor.

Electrical conductivity is 100% of small diameter conductor.

Simple installation, no special tools required.

The material of helical armor rod is same with conductor, it has excellent electrochemical corrosion resistance.

重要提示 Important tips

T型接续条不得重复使用。

选配T型接续条时，必须提供相对应的主导线和叉接导线规格型号。

安装T型接续条前，导线表面必须彻底清洁打磨，去除氧化层，并涂抹上与之相匹配的导电脂。

T splicing slip could not be reused.

When select T splicing slip, provide specification and model of matching main conductor and branch conductor is necessary.

Before install T splicing slip, clean and polish the conductor surface completely, remove the oxide layer and coat matching conductive grease.

钢芯铝绞线用T型预绞式接续条选型表
Selection of Helical T-Splice for ACSR Conductor

产品型号 Type	适用钢芯铝绞线 直径范围 Suitable Conductor Dia. (mm)	适用导线类型GB1179-1983 Suitable Conductor	色标 Color Code	线夹长度 Clamp Length(mm)
		钢芯铝绞线LGJ/LGJF (ACSR)		
TJL 7716	8.00-8.60	35/6	红 Red	590
TJL 7717	9.40-9.80	50/8	黄 Yellow	700
TJL 7718	11.30-11.75	50/30, 70/10	蓝 Blue	820
TJL 7719	13.30-13.80	70/40, 90/15	绿 Green	980
TJL 7720	13.81-14.00	95/20	黑 Black	1000
TJL 7721	14.41-15.10	120/7, 120/20	红 Red	1080
TJL 7722	15.60-16.20	95/55, 120/25, 150/8	黄 Yellow	1150
TJL 7723	16.50-17.00	150/20	蓝 Blue	1410
TJL 7724	17.01-17.60	150/25, 150/35	绿 Green	1480
TJL 7725	17.80-18.20	120/70, 185/10	黑 Black	1530
TJL 7726	18.60-19.20	185/25, 185/30, 210/10	红 Red	1560
TJL 7727	19.50-20.10	185/45, 210/25	黄 Yellow	1640
TJL 7728	20.20-20.96	210/35, 210/50	蓝 Blue	1710
TJL 7729	21.50-22.50	240/30, 240/40, 240/55	绿 Green	1860

备注：钢芯铝绞线用T型预绞式接续条的原材料为铝合金线；表中未涵盖公司所有产品，如有需要请与本公司联系。
Remark: Raw material of T helical splicing for Steel-core aluminum strand wire is aluminum alloy wire;
Not all products listed in the form. Please contact our company if you have any requirement.

铝绞线用T型预绞式接续条选型表
Selection of Helical T-Splice rod for Aluminum Stranded Conductor

产品型号 Type	适用钢芯铝绞线 直径范围 Suitable Conductor Dia. (mm)	适用导线类型GB1179-1983	色标 Color Code	线夹长度 Clamp Length(mm)
		铝绞线LJ		
TJL 7815	7.35-7.60	35	红 Red	590
TJL 7816	8.90-9.25	50	黄 Yellow	670
TJL 7817	10.50-10.90	70	蓝 Blue	770
TJL 7818	12.25-12.75	95	绿 Green	820
TJL 7819	13.81-14.00	120	黑 Black	1000
TJL 7820	15.60-16.20	150	红 Red	1150
TJL 7821	17.01-17.60	185	黄 Yellow	1480
TJL 7822	18.60-19.20	210	蓝 Blue	1560
TJL 7823	19.50-20.10	240	绿 Green	1640
TJL 7824	21.50-22.50	300	黑 Black	1860

备注：铝绞线用T型预绞式接续条的原材料为铝合金线；表中未涵盖公司所有产品，如有需要请与本公司联系。
Remark: Raw material of T helical splicing for aluminum strand wire is aluminum alloy wire;
Not all products listed in the form. Please contact our company if you have any requirement.

接续管补强用预绞式接续条选型表 Selection of Helical T-Splice rod for Aluminum Stranded Conductor

产品型号 Type	钢芯铝绞线 直径范围 Conductor Dia. (mm)	适用导线类GB1179-1983 (Suitable Conductor)			接续管最大长度 Length (mm)	线夹长度 Clamp Length (mm)
		钢芯铝绞线LGJ/LGJF (ACSR)	铝绞线 L. J	接续管类型 Type		
TJL 7916	12.24-12.78		95	JT-95L	280	1490
TJL 7917	13.26-13.82	95/45	JT		690	2030
TJL 7918	13.83-14.40	90/20	JT	120 JT/120L	690	2060
TJL 7919	14.41-15.09	120/20	JY/JTB		430	2020
TJL 7920	15.72-16.36	120/25	JY	150 JT/JY-150L	490	2080
TJL 7921	16.37-17.04	150/20	JY/JTB		470	2270
TJL 7922	17.05-17.78	150/25, 150/35	JY/JTB	185 JT/JY-185L	530	2240
TJL 7923	18.53-19.30	185/25, 185/30	JY/JTB	210 JY-210L	540	2530
TJL 7924	19.31-20.12	185/45, 210/25	JY/JTB	240 JY-240L	570	2570
TJL 7925	20.13-20.96	210/35, 210/50	JY/JTB		600	2780
TJL 7926	20.97-21.61	240/30	JY/JTB		570	2850
TJL 7927	21.62-22.50	240/40, 240/55	JY/JTB	300 JY-300L	640	3110
TJL 7928	22.51-23.60	300/15, 300/20	JY/JYD		580	3200
TJL 7929	23.61-24.59	300/25, 300/40, 300/50	JY/JYD		660	3430
TJL 7930	24.60-25.60	300/70	JY/JYD		720	3590
TJL 7931	25.61-26.67	400/25	JY/JYD	400 JY-400L	660	3790
TJL 7932	26.68-27.71	400/35, 400/50	JY/JYD		730	4020
TJL 7933	27.72-28.87	400/65	JY/JYD		760	4290
TJL 7934	28.88-30.05	400/95, 500/35, 500/45	JY/JYD	500 JY-500L	830	4480

备注：接续管补强用预绞式导线接续条的原材料为铝合金线；表中未涵盖公司所有产品，如有需要请与本公司联系。
Remark: Raw material of reinforced helical splicing slip for splicing sleeve is aluminum alloy wire;
Not all products listed in the form. Please contact our company if you have any requirement.

预绞式地线接续条 (Helical Ground Splice)

钢绞线用预绞式地线接续条选型表 Selection of Helical Splice rod for Galvanized Stranded Ground Wire

产品型号 Type	适用钢绞线截面积 Suitable Wire Section Area (mm ²)	色标 Color Code	线夹长度 Clamp Length (mm)
GDJL 10025	25	黄 Yellow	1200
GDJL 10035	35	红 Red	1420
GDJL 10050	50	蓝 Blue	1560
GDJL 10070	70	绿 Green	1970

预绞式拉线接续条 (Helical Stay wire Splice)

钢绞线用预绞式拉线接续条选型表 Selection of Helical Splice rod for Galvanized Stranded Stay wire

产品型号 Type	对应DL/T763-2001标准型号 Standard DL/T763-2001 Ref.	适用钢绞线截面积 Suitable Wire Area (mm ²)	色标 Color Code	线夹长度 Clamp Length (mm)
GLJL 10025	JL-25/G	25	黄 Yellow	930
GLJL 10035	JL-35/G	35	红 Red	1080
GLJL 10050	JL-50/G	50	蓝 Blue	1230
GLJL 10070	JL-70/G	70	绿 Green	1470

备注：铝绞线用T型预绞式接续条的原材料为铝合金线；表中未涵盖公司所有产品，如有需要请与本公司联系。
Remark: Raw material of T helical splicing slip for aluminum strand conductor is aluminum alloy wire;
Not all products listed in the form. Please contact our company if you have any requirement.

预绞式保护金具 Helical Protect Fittings

预绞式护线条 (Helical Armor Rods)

产品性能及特性 Helical and characteristic

预绞式护线条具有保护及修补导线的作用。

Helical armour rod has functions of protecting and repairing conductor.

护线条安装在船型悬垂线夹中或支柱绝缘子上，用来保护导线免受振动、线夹压应力、摩擦磨损、电弧等其他损伤。
The armour rod installed on the ship suspension clamp or support insulator, for preventing damages, such as vibration, press stress, frictional wear and electric arc of conductor.

作为修补条时，用来修补已受到损伤的导线，使它恢复原来的机械强度及导电性能。

When it used as repair rod, it could repair the damaged conductor, make it to recover its' original mechanical strength and electrical conductivity.

护线条不能作为接续条和补修条用。

The armour rods could not be used as splicing rod and repair rod.

示意图 Diagram



a) 铝合金护线条 Aluminum-alloy armor rods



b) 铝包钢护线条 Aluminum-Clad steel armor rods

产品特点 Characteristics

护线条能分散导线所受应力，提高导线抗振能力，延长导线使用寿命。

Armour rods could disperse stress of conductor, improve the anti-vibration capacity of conductor, prolong the service life of conductor.

安装简便，无需任何专用工具，徒手便可现场安装，一个人即可完成，并且安装质量易于保证；不需训练，肉眼即可现场检验，外观简洁美观。

Simple installation, no special tools needed, you could install on-spot by hand, one person is enough. It is easy to ensure the installation quality; no training required, inspect on-spot by naked eyes. It has simple and beautiful appearance.

由于护线条紧握导线，避免了导线滑移，因而可以把导线的磨损减至最小。

As armour rod held the conductor firmly, the conductor sliding could be avoided, so it minimizes the wear for conductor.

预绞丝护线条具有紧握弹性，可保持长期不松动。

Helical armour rods have hold elastic, which could keep no looseness for long term.

通用性强，可与多种金具配套使用。

Strong universality, it could be used with many fittings together.

当钢芯铝绞线外层铝线及铝导线中有少于50%的线条发生破断时，用短护线或修补条进行修复，可恢复100%的机械强度和电气性能。

When external layer aluminum wire of steel-cored aluminum strand wire and less than 50% of wires in aluminum conductor broken, repair it by short protective line or repair rod and 100% mechanical strength and electric property could be recovered.

钢芯铝绞线用预绞式护线条选型表 Selection of Helical Splice rod for Galvanized Strand Guy

标准型号 Type	适用导线 Suitable Conductor		护线条线径 Armour rod Dia. (mm)	线夹长度 Clamp Length (mm)	每组根数 Rod number/set	重量 Weight (Kg)			
	型号 Type	外径 Dia. (mm)							
FYH-95/15	LGJ-95/15	13.61	3.60	1400	13	0.53			
FYH-95/20	LGJ-95/20	13.87		0.54					
FYH-95/55	LGJ-95/55	16.00		1500	16	0.62			
FYH-120/7	LGJ-120/7	14.5		0.55					
FYH-120/20	LGJ-120/20	15.07	3.60	1400	14	0.57			
FYH-120/25	LGJ-120/25	15.74	4.60	1800	14	0.58			
FYH-120/70	LGJ-120/70	18.00				0.75			
FYH-150/8	LGJ-150/8	16.00				3.60	1500	16	0.62
FYH-150/20	LGJ-150/20	16.67							0.65
FYH-150/25	LGJ-150/25	17.10	0.64						
FYH-150/35	LGJ-150/35	17.50	0.66						
FYH-185/10	LGJ-185/10	18.00	4.60	1800	14	1.24			
FYH-185/25	LGJ-185/25	18.90				1.25			
FYH-185/30	LGJ-185/30	18.88				1.25			
FYH-185/45	LGJ-185/45	19.60				1.26			
FYH-210/10	LGJ-210/10	19.00	4.60	1800	14	1.27			
FYH-210/25	LGJ-210/25	19.98				1.28			
FYH-210/35	LGJ-210/35	20.38				1.28			
FYH-210/50	LGJ-210/50	20.86				1.30			
FYH-240/30	LGJ-240/30	21.60	4.60	1900	16	1.44			
FYH-240/40	LGJ-240/40	21.66				1.44			
FYH-240/55	LGJ-240/55	22.40				1.59			
FYH-300/15	LGJ-300/15	23.01	6.30	2000	13	2.30			
FYH-300/20	LGJ-300/20	23.43				2.30			
FYH-300/25	LGJ-300/25	23.76				2.33			
FYH-300/40	LGJ-300/40	23.94				2.34			
FYH-300/50	LGJ-300/50	24.26				2.34			
FYH-300/70	LGJ-300/70	25.20				2.54			
FYH-400/20	LGJ-400/20	26.91	6.30	2200	14	2.80			
FYH-400/25	LGJ-400/25	26.64				2.80			
FYH-400/35	LGJ-400/35	26.82				2.80			
FYH-400/50	LGJ-400/50	27.63				2.80			
FYH-400/65	LGJ-400/65	28.00				2.83			
FYH-400/95	LGJ-400/95	29.14				2.85			
FYH-500/35	LGJ-500/35	30.00	6.30	2500	16	3.48			
FYH-500/45	LGJ-500/45	30.00				3.48			
FYH-500/65	LGJ-500/65	30.96				3.50			
FYH-630/45	LGJ-630/45	33.60				7.80	2500	15	5.32

标准型号 Type	适用导线 Suitable Conductor		护线条线径 Armour rod Dia. (mm)	线夹长度 Clamp Length (mm)	每组根数 Rod number/set	重量 Weight (Kg)
	型号 Type	外径 Dia. (mm)				
FYH-630/55	LGJ-630/55	34.32	7.80	2500	15	5.40
FYH-630/80	LGJ-630/80	34.82				5.40
FYH-800/55	LGJ-800/55	38.40				6.02
FYH-800/70	LGJ-800/70	38.58	7.80	2500	17	6.10
FYH-800/100	LGJ-800/100	38.98				6.20

备注：钢芯铝绞线用预绞式护线条的原材料为铝合金线；表中未涵盖公司所有产品，如有需要请与本公司联系。

Remark: Raw material of helical armour rods for (ACSR) is aluminum alloy wire;

Not all products listed in the form. Please contact our company if you have any requirement.



预绞式护线 / 修补条 (Helical Armor or Repair Rod)

钢芯铝绞线用预绞式护线/修补条选型表 Selection of Helical Armor or Repair Rod for ACSR

产品型号 Type		适用钢芯铝绞线直径范围 Available Conductor Dia. (mm)	适用导线类型钢芯铝绞线 LGJ/LGJF Suitable ACSR Conductor (GB 1179-1983)	色标 Color Code	线夹长度 Clamp Length (mm)
支点 (Point)	Type				
A	HXTL 8110	7.85-8.28	35/6	红Red	1180
B	HXTL 8510				1420
A	HXTL 8111	9.31-9.88	50/8	黑Black	1270
B	HXTL 8511				1580
A	HXTL 8112	11.10-11.76	50/30, 70/10	蓝Blue	1370
B	HXTL 8512				1680
A	HXTL 8113	13.24-14.00	70/40, 95/15, 95/20	绿Green	1480
B	HXTL 8513				1780
A	HXTL 8114	14.01-14.86	120/7	黄Yellow	1530
B	HXTL 8514				1830
A	HXTL 8115	14.87-15.39	120/20	红Red	1580
B	HXTL 8515				1880
A	HXTL 8116	15.40-16.00	95/55, 120/25, 150/8	黑Black	1630
B	HXTL 8516				1930
A	HXTL 8117	16.66-17.25	150/20, 150/25	蓝Blue	1680
B	HXTL 8517				1980
A	HXTL 8118	17.30-17.86	150/35	绿Green	1730
B	HXTL 8518				2030
A	HXTL 8119	17.87-18.80	120/70, 185/10	黄Yellow	1830
B	HXTL 8519				2130
	HXTL 8120	18.81-19.86	185/25, 185/30	红Red	1830
	HXTL 8520		185/45, 210/10		
	HXTL 8121	19.87-20.68	210/25, 210/35	黑 Black	1930
	HXTL 8521		210/50		
	HXTL 8122	21.47-23.04	240/30, 240/40	绿 Green	1980
	HXTL 8124		240/55, 300/15		
	HXTL 8124	23.05-23.60	300/20	黄Yellow	2030
	HXTL 8125		300/25, 300/40		
	HXTL 8125	23.61-24.79	300/50	红Red	2240
	HXTL 8126		300/70		
	HXTL 8126	24.80-25.81	300/70	黑Black	2340
	HXTL 8127		300/70		
	HXTL 8127	25.82-26.29	300/70	蓝Blue	2390
	HXTL 8128		400/20, 400/25		
	HXTL 8128	26.30-27.03	400/35	绿Green	2440
	HXTL 8129		400/35		
	HXTL 8129	27.04-27.89	400/50	黄Yellow	2440
	HXTL 8130		400/50		
	HXTL 8130	27.90-28.93	400/65	红Red	2540
	HXTL 8131		400/65		
	HXTL 8131	28.94-29.49	400/95	黑 Black	2540
	HXTL 8132		400/95		
	HXTL 8132	29.50-30.68	500, /35, 500/45	蓝Blue	2540
	HXTL 8132		500, /35, 500/45		

铝绞线用预绞式护线/修补条选型表

Selection of Helical Armor or Repair Rod for Aluminum Stranded Conductor

产品型号 Type		适用导线直径范围 Available Conductor Dia. (mm)	适用导线类型铝绞线 LJ	色标 Color Code	线夹长度 Clamp Length (mm)
支点 (Point)	Type				
A	HXTL 8212	8.81-9.30	50	红Red	1220
B	HXTL 8612				1520
A	HXTL 8215	10.50-11.07	70	黄Yellow	1340
B	HXTL 8615				1630
A	HXTL 8218	12.47-13.23	95	绿Green	1380
B	HXTL 8618				1670
A	HXTL 8219	13.24-14.10	120	黄Yellow	1480
B	HXTL 8619				1780
A	HXTL 8222	15.40-16.00	150	黑Black	1510
B	HXTL 8622				1630
A	HXTL 8225	17.30-17.86	185	绿Green	1730
B	HXTL 8625				1930
A	HXTL 8226	17.87-18.80	210	黄Yellow	1830
B	HXTL 8229				240
A	HXTL 8229	20.69-21.46	240	黑Black	1930
B	HXTL 8230				300
A	HXTL 8230	21.47-23.04	300	绿Green	1980
B	HXTL 8234				400
A	HXTL 8234	25.82-26.29	400	蓝Blue	2390
B	HXTL 8234				400

备注: 1)A——单支点 (Single Point); B——双支点 (Double Points)

Remark: 2) 铝绞线用预绞式护线/修补条的原材料为铝合金线;

2) Raw material of helical armour/repair rods for aluminum strand conductor is aluminum alloy wire;

3) 表中未涵盖公司所有产品, 如有需要请与本公司联系。

3) Not all products listed in the form. Please contact our company if you have any requirement.

钢绞线用预绞式护线/修补条选型表

Selection of Helical Armor or Repair Rod for Aluminum Stranded Conductor

产品类型 Model	适用导线直径范围 Suitable Conductor Dia. Range (mm)	适用的绞线面积 Suitable Conductor Area (mm ²) (GB1200-75)	色标 Color Code	线夹长度 Clamp Length (mm)
HXTL 8320	6.20-6.58	25	黄Yellow	1030
HXTL 8720				1330
HXTL 8323	7.37-7.82	35	黑Black	1120
HXTL 8723				1430
HXTL 8326	8.81-9.47	50	绿Green	1230
HXTL 8726				1540
HXTL 8329	10.52-11.07	70	红Red	1340
HXTL 8729				1640
HXTL 8332	12.47-13.23	95/100	蓝Blue	1440
HXTL 8732				1740

备注: 1) 钢绞线用预绞式护线/修补条的原材料为镀锌钢线; 2) 表中未涵盖公司所有产品, 如有需要请与本公司联系。

Remark: 1) Raw material of helical armour/repair rods for steel strand conductor is galvanized steel wire;

2) Not all products listed in the form. Please contact our company if you have any requirement.

钢芯铝绞线/铝绞线用预绞式短护线/修补条选型表
Selection of Helical Short Armor or Repair Rod for ACSR/ Aluminum Stranded

产品类型 Model	适用导线直径范围 Suitable Conductor Dia. (mm)	适用导线类 GB 1179-1983 Suitable Conductor		色标 Color Code	线夹长度 Clamp Length (mm)
		钢芯铝绞线 LGJ/GJF (ACSR)	铝绞线 L J		
A HXTS 8310 B HXTS 8810	7.85-8.28	35/6		红Red	530 840
A HXTS 8311 B HXTS 8811	8.81-9.30		50	黄Yellow	580 890
A HXTS 8312 B HXTS 8812	9.31-9.88	50/8		黑Black	580 890
A HXTS 8313 B HXTS 8813	10.50-11.07	50/30, 70/10	70	绿Green	630 940
A HXTS 8314 B HXTS 8814	11.10-11.76			蓝Blue	680 990
A HXTS 8315 B HXTS 8815	12.47-13.23	70/40, 95/15, 95/20	95	红Red	730 1040
A HXTS 8316 B HXTS 8816	13.24-14.00	120/7	120	绿Green	730 1040
A HXTS 8317 B HXTS 8817	14.01-14.86	120/20		黄Yellow	780 1090
A HXTS 8318 B HXTS 8818	14.87-15.39	120/20	150	红Red	780 1090
A HXTS 8319 B HXTS 8819	15.40-16.00	95/55, 120/25, 150/8		黑Black	830 1140
A HXTS 8320 B HXTS 8820	16.66-17.25	150/20, 150/25	185	蓝Blue	880 1190
A HXTS 8321 B HXTS 8821	17.30-17.86	150/35		绿Green	880 1190
A HXTS 8322 B HXTS 8822	17.87-18.80	120/70, 185/10	210	黄Yellow	940 1250
A HXTS 8323 B HXTS 8823	18.81-20.12	185/25, 185/30 185/45, 210/10 210/25	240	红Red	990 1290
A HXTS 8324 B HXTS 8824	20.13-21.34	210/35, 210/50		黑Black	990 1290

产品类型 Model	适用导线直径范围 Suitable Conductor Dia. (mm)	适用导线类 GB 1179-1983 Suitable Conductor		色标 Color Code	线夹长度 Clamp Length (mm)
		钢芯铝绞线 LGJ/GJF (ACSR)	铝绞线 L J		
A HXTS 8325 B HXTS 8825	21.35-22.81	240/30, 240/40, 240/55	300	绿Green	1040 1350
A HXTS 8326 B HXTS 8826	22.82-24.23	300/15, 300/20 300/25, 300/40		黄Yellow	1090 1390
A HXTS 8327 B HXTS 8827	24.24-25.04	300/50		红Red	1150 1450
A HXTS 8328 B HXTS 8828	25.05-25.81	300/70		黑Black	1150 1450
A HXTS 8329 B HXTS 8829	25.82-27.03	400/25, 400/20, 400/35	400	绿Green	1200 1500
A HXTS 8330 B HXTS 8830	27.04-27.66	400/50		黄Yellow	1250 1560

备注: 1)A——单支点 (Single Point); B——双支点 (Double Points)
Remark: 2)钢芯铝绞线/铝绞线用预绞式短护线/修补条的原材料为铝合金线;
2)Raw material of helical armour/repair rods for aluminum conductor steel reinforced/ aluminum strand conductor is aluminum alloy wire;
3)表中未涵盖公司所有产品, 如有需要请与本公司联系。
3)Not all products listed in the form. Please contact our company if you have any requirement.



电气化铁路用预绞式护线条 Helical Armor Rods for Electrified Railway line

产品用途及特性 Application and characteristics

电气化铁道架空导线、承力索，特别是铝包钢、铜或铜合金导线以及承力索等在运行中容易与滑轮之间引起磨损，引发断股、断线等事故。

When the aerial conductor, catenary of electric railway, especially aluminum coated steel, cooper or copper alloy conductor and catenary runs, it is easy to cause wear with pulley and initiate strand and wire broken. 为有效防止导线或承力索的磨损导致事故发生，在导线或承力索上与滑轮接触的部位采用预绞丝保护条，用以解决导线和承力索的磨损问题，为线路的正常运行提供有力保障。

In order to prevent accident from wear problem of conductor or catenary, install helical armour rod on the contacting part between conductor or catenary and pulley, which solve the wear problem of conductor and catenary and provide strong guarantee for normal run of line.

预绞丝护线条具有优良的耐腐蚀性能；安装便携，不需要任何专用工具，一人可徒手完成现场安装操作；适用性强，可与多种铁路金具配合使用。

Helical armor rod has excellent corrosion resistance. It is easy to install and no special tools required. One person could finish the installation on-spot. It has strong applicability, could be used with many railway fittings together.

产品特点 Characteristics

磨损小：由于护线条紧握导线或承力索，避免了导线、承力索滑移，因而可以把导线或承力索的磨损减至最小。

Low wear: As armour rod held the conductor or catenary wire firmly, the conductor and catenary wire sliding could be avoided, so it minimizes the wear for conductor or catenary wire.

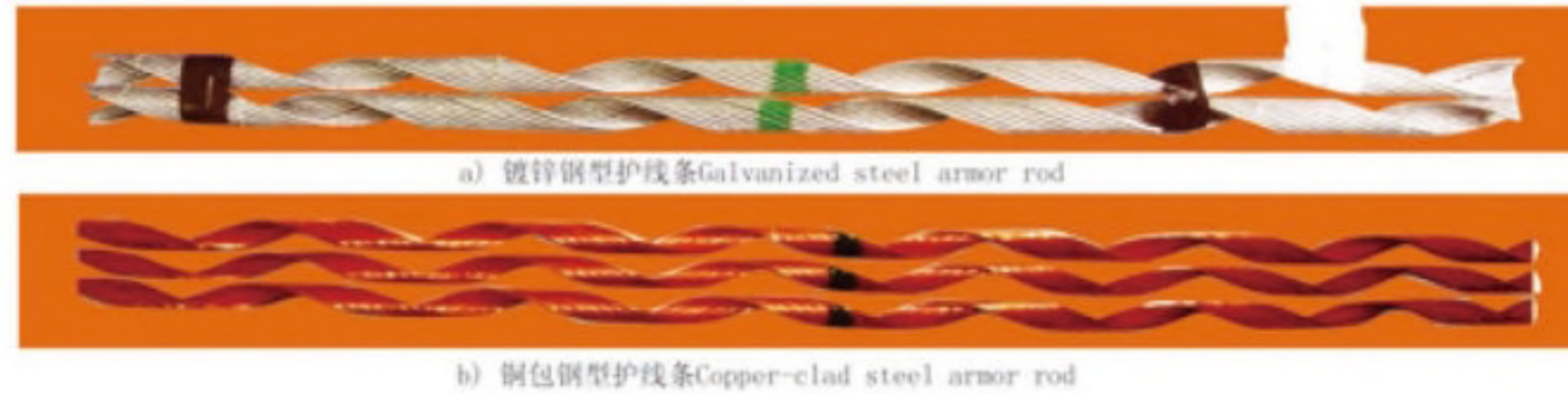
安装简单：无需任何专用工具，徒手就可以快捷简便地现场安装，一个人即可完成。安装质量易于保证；不需专门训练，肉眼可以进行检验，外观简洁美观。

Simple installation: No special tools needed, you could install on-spot by hand rapidly and simply, one person is enough. It is easy to ensure the installation quality; no special training required, inspect by naked eyes. It has simple and beautiful appearance.

通用性强：可与多种铁路金具配合使用。

Strong universality: It could be used with many railway fittings together.

示意图 Diagram



钢绞线承力索用护线条选型表

Selection of Helical Armor Rods for Steel Stranded Catenary Wire

序号 No.	型号 Type	适用导线截面 Suitable wire Area(mm ²)	长度 Length(mm)	材料 Material
1	TH-D-35/*	35	*	镀锌钢丝 Galvanized steel wire
2	TH-D-50/*	50	*	
3	TH-D-70/*	70	*	
4	TH-D-95/*	95	*	
5	TH-D-100/*	100	*	
6	TH-D-120/*	120	*	
7	TH-D-150/*	150	*	

备注：1) “*” 代表长度，一般有：500、800、1200、1500、2000mm；也可根据用户要求提供。

2) 表中未涵盖公司所有产品，如有需要请与本公司联系。

Remark: 1) “*” represents length, includes 500, 800, 1200, 1500, 2000mm. We also could produce according to customer's requirement.

2) Not all products listed in the form. Please contact our company if you have any requirement.

电气化铁路用预绞式金具 Helical set for Electrified Railway line

钢绞线承力索用护线条选型表

Selection of Helical Armor Rods for Steel Stranded Catenary Wire

序号 No.	型号 Type	适用导线截面 Suitable wire Area(mm ²)	长度 Length(mm)	材料 Material
1	TH-D-35/*	35	*	铜包钢丝 Copper-clad steel wire
2	TH-D-50/*	50	*	
3	TH-D-70/*	70	*	
4	TH-D-95/*	95	*	
5	TH-D-100/*	100	*	
6	TH-D-120/*	120	*	
7	TH-D-150/*	150	*	

备注：1) “*” 代表长度，一般有：500、800、1200、1500、2000mm；也可根据用户要求提供。

2) 表中未涵盖公司所有产品，如有需要请与本公司联系。

Remark: 1) “*” represents length, includes 500, 800, 1200, 1500, 2000mm. We also could produce according to customer's requirement.

2) Not all products listed in the form. Please contact our company if you have any requirement.

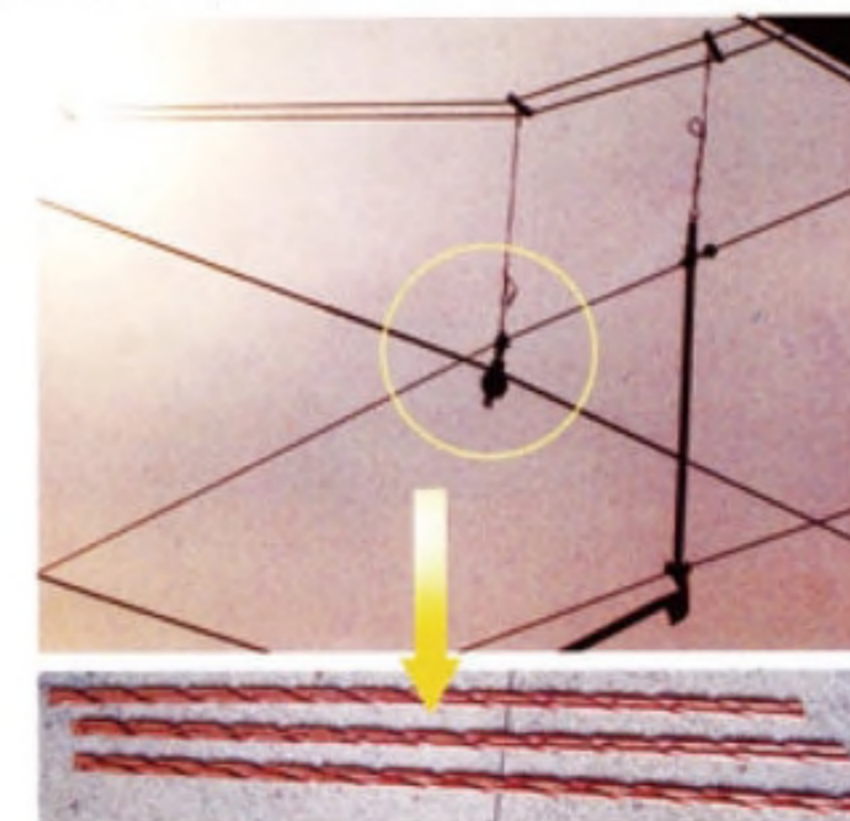
电气化铁路用预绞式耐张金具 Helical Tension set for Electrified Railway line

与线路耐张金具相同，请参照线路金具部分。

Refer to Helical Tension Set (part 1), please..

附：预绞丝金具在电气化铁路中的应用实例图片

Attached: Example Picture for Helical armor rods applied in electrified railway



铁路护线条应用实例 (1)

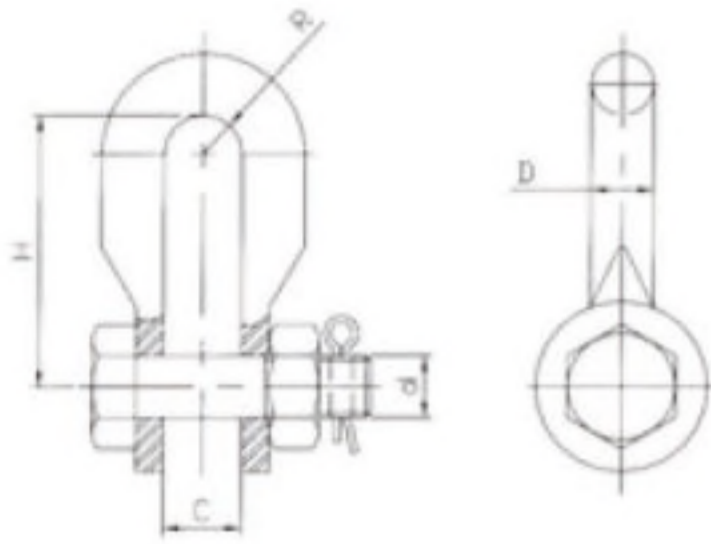
Armor Rod using for Railway line(1)



电气化铁路预绞式耐张金具应用实例 (2)

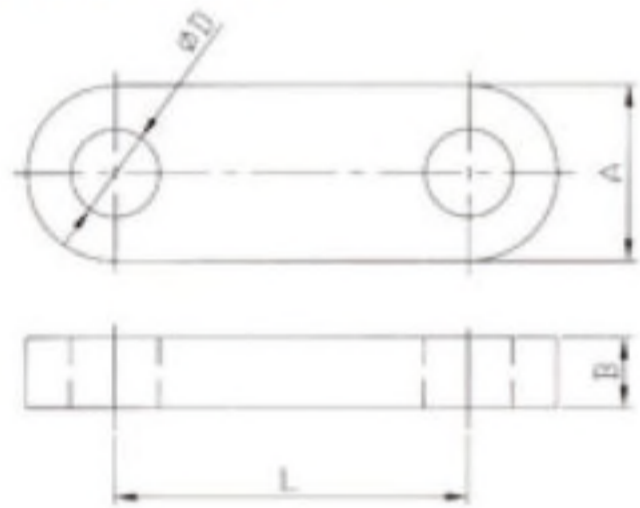
Helical Dead-end using for Electrified Railway line (2)

01 U型挂环 U-Clevis



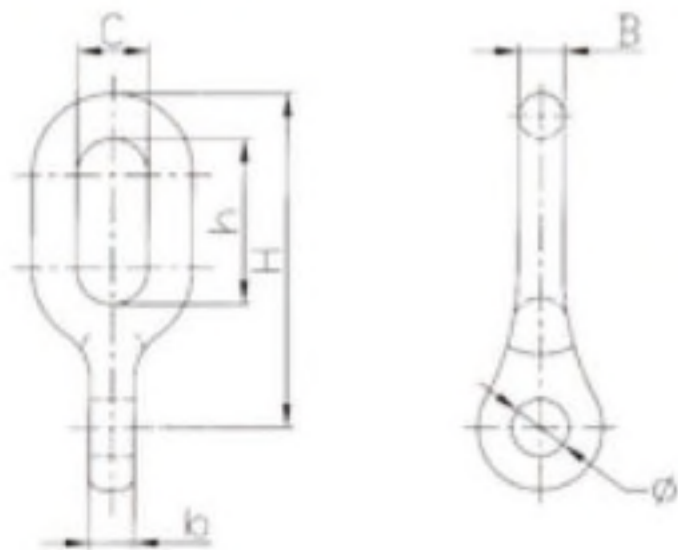
型号 Type	主要尺寸 Main dimensions (mm)					破坏载荷 Devastating Load (kN)	重量 Weight (kg)
	c	d	D	H	R		
U-5	20	12	12.5	70	10	50	0.35
U-7	20	16	16	80	10	70	0.5
U-10	22	18	18	85	11	100	0.6
U-12	24	22	20	90	12	120	1.0
U-16	26	24	22	90	13	160	1.5
UL-7	20	16	16	120	22	70	0.7
UL-10	22	18	18	140	24	100	0.9
UL-12	24	22	20	140	18	120	1.1

02 U挂板 Shackle



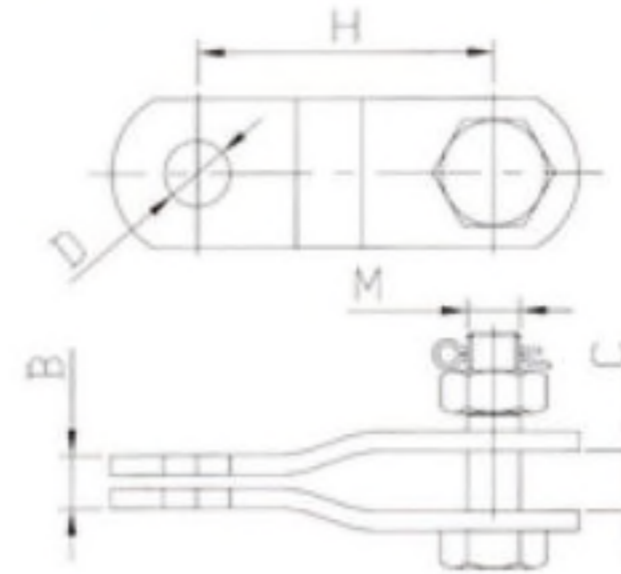
型号 Type	主要尺寸 Main dimensions (mm)				破坏载荷 Devastating Load (kN)	重量 Weight (kg)
	B	D	L	A		
PD-7	16	18	70	40	70	0.5
PD-10	16	20	80	40	100	0.7
PD-12	16	24	100	40	120	0.9
PD-16	22	26	130	60	160	1.4

03 直角环 Eye Chain Link



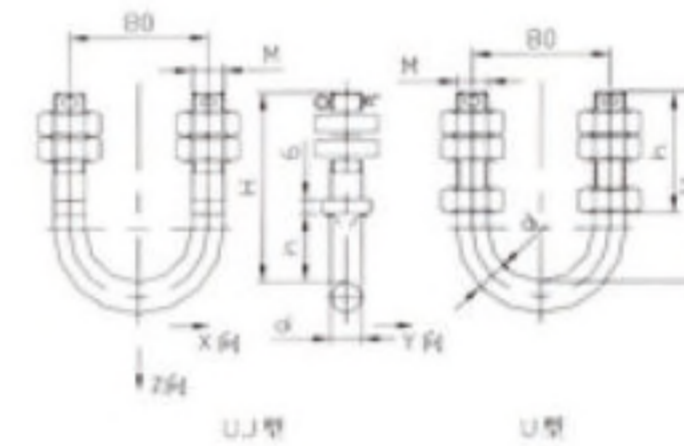
型号 Type	主要尺寸 Main dimensions (mm)						破坏载荷 Devastating Load (kN)	重量 Weight (kg)
	c	h	H	b	B	Φ		
ZH-7	24	57	95	16	16	20	70	0.5
ZH-10	24	57	100	16	18	20	100	1.1
ZH-12	24	65	115	16	18	24	120	1.2
ZH-16	26	75	135	18	22	26	160	1.8

04 挂板 (PS型) PS-Shackle



型号 Type	主要尺寸 Main dimensions (mm)					破坏载荷 Devastating Load (kN)	重量 Weight (kg)
	C	B	M	D	H		
PS-7	18	16	16	20	90	70	0.6
PS-10	20	18	18	20	90	100	0.9
PS-12	20	20	22	24	95	120	1.5
PS-16	26	24	24	26	155	160	2.2

05 U型螺栓 U-Bolt



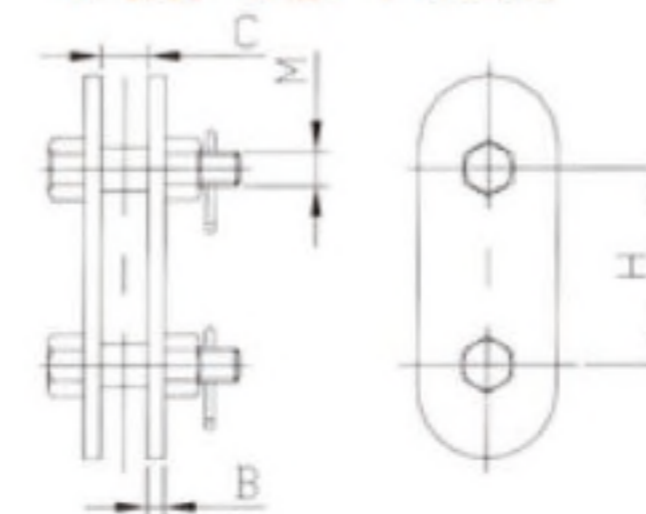
型号 Type	主要尺寸 Main dimensions (mm)				破坏载荷 Devastating Load (kN)			重量 Weight (kg)
	d	h	H	M	H	H	H	
UJ-1880	18	39	105	18	18	5.3	35	0.85
UJ-2080	20	43	120	20	24	7.4	47	1.10
UJ-2280	22	45	126	22	28	10.8	57	1.40
U-1880	18	60	90	18	18	3.5	35	0.80
U-2080	20	70	100	20	18	5.3	35	1.10
U-2280	22	90	118	22	24	4.9	47	1.30

06 延长环 Chain Link



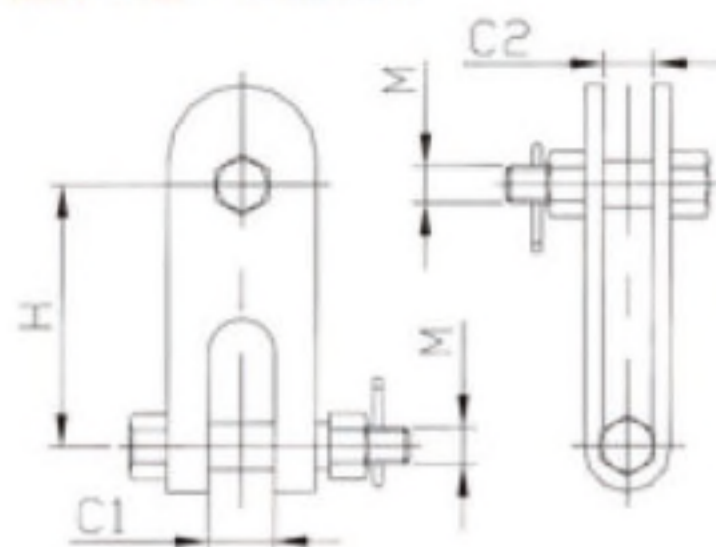
型号 Type	主要尺寸 Main dimensions (mm)			破坏载荷 Devastating Load (kN)	重量 Weight (kg)
	C	d	L		
PH-7	20	16	80	70	0.4
PH-10	22	18	100	100	0.6
PH-12	24	20	120	120	0.9
PH-16	26	22	140	160	1.5

07 挂板 (P型) P-Shackle



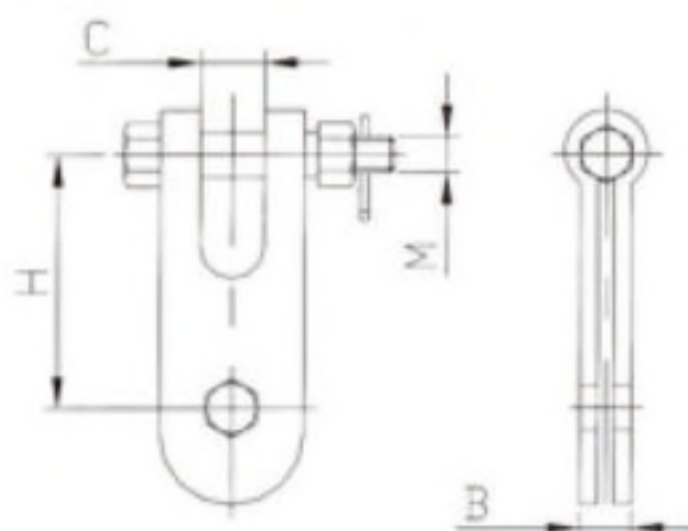
型号 Type	主要尺寸 Main dimensions (mm)				破坏载荷 Devastating Load (kN)	重量 Weight (kg)
	B	C	M	H		
P-7	6	18	16	60	70	0.6
P-10	8	20	18	70	100	0.9
P-12	10	24	22	80	120	1.5
P-16	12	26	24	90	160	2.4

08 挂板 (Z型) Z-Shackle



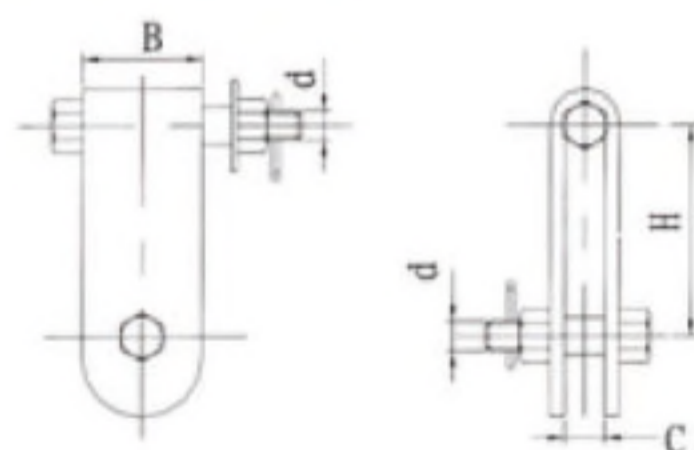
型号 Type	主要尺寸 Main dimensions (mm)				破坏载荷 Devastating Load (kN)	重量 Weight (kg)
	C1	C2	M	H		
Z-7	18	18	16	60	70	0.6
Z-10	20	20	18	70	100	0.8
Z-12	24	24	22	80	120	1.3
Z-16	26	26	24	90	160	2.5

09 挂板 (ZS型) ZS-Shackle



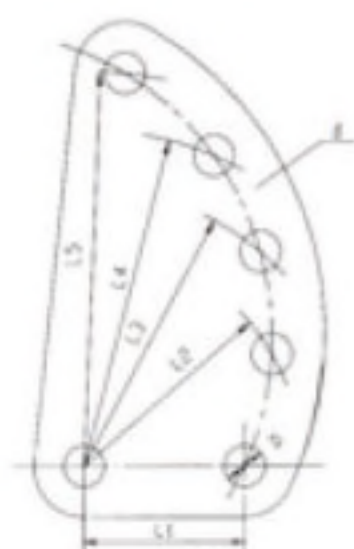
型号 Type	主要尺寸 Main dimensions (mm)					破坏载荷 Devastating Load (kN)	重量 Weight (kg)
	C	B	M	D	H		
ZS-7	18	16	16	20	60	70	0.6
ZS-10	20	18	18	20	70	100	0.9
ZS-16	26	26	24	26	90	160	1.9

10 挂板 (UB型) UB-Shackle



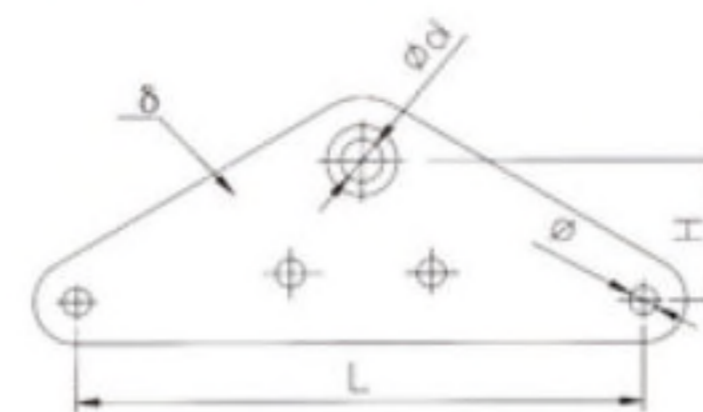
型号 Type	主要尺寸 Main dimensions (mm)				破坏载荷 Devastating Load (kN)	重量 Weight (kg)
	C	d	H	B		
UB-7	18	16	70	45	70	0.75
UB-10	20	18	80	45	100	1.08
UB-12	24	22	100	60	120	2.28
UB-16	26	24	100	60	160	2.90

11 调整板 (DB型) Sag. Adjusting Plate (Type DB)



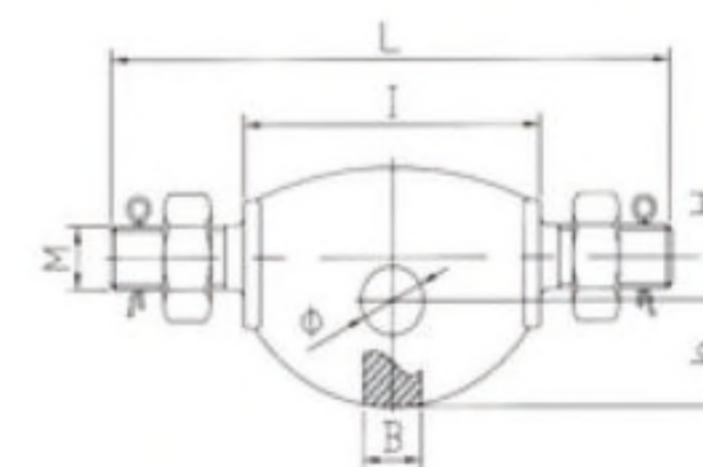
型号 Type	主要尺寸 Main dimensions (mm)							破坏载荷 Devastating Load (kN)	重量 Weight (kg)
	D	δ	L1	L2	L3	L4	L5		
DB-7	18	16	70	95	120	145	170	70	1.70
DB-10	20	16	80	110	140	170	200	100	2.70
DB-12	24	16	100	135	170	205	240	120	3.20
DB-16	26	18	120	125	140	155	170	160	4.10

12 联板 Yoke Plate



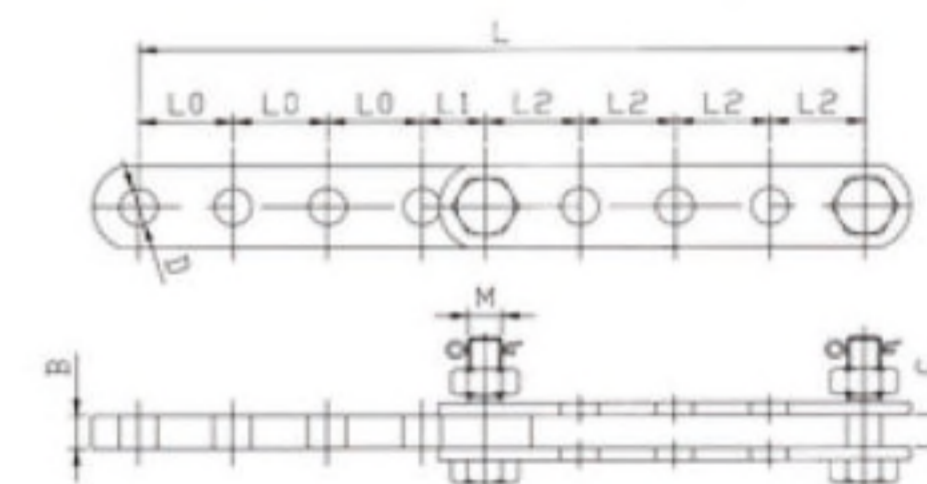
型号 Type	主要尺寸 Main dimensions (mm)				破坏载荷 Devastating Load (kN)	重量 Weight (kg)
	δ	H	Φ	L		
L-1040	16	70	18	400	100	4.4
L-1240	16	70	18	400	120	4.7
L-1640	18	100	20	400	160	5.9
L-2140	16	100	20	400	210	7.0
L-2540	16	110	24	400	250	9.0
L-3040	18	110	26	400	300	10.0

13 耳轴挂板 (GD型) Twisted Strap (Type GD)



型号 Type	主要尺寸 Main dimensions (mm)							破坏载荷 Devastating Load (kN)	重量 Weight (kg)
	L	I	Φ	M	H	B	h		
GD-12	250	112	24	22	12	16	40	120	1.70
GD-12A	250	130	24	22	8	22	40	120	1.60
GD-21S	250	112	26	24	12	20	40	210	2.10

14 调整板 (PT型) Sag. Adjusting Plate (Type PT)



型号 Type	主要尺寸 Main dimensions (mm)								破坏载荷 Devastating Load (kN)	重量 Weight (kg)
	L0	L1	L2	M	D	B	C	L		
PT-07	45	30	45	16	18	16	18	225-345	70	0.75
PT-10	50	40	50	18	20	16	20	250-390	100	1.08
PT-12	60	45	60	22	24	16	24	300-465	120	2.28
PT-16	65	50	60	24	26	18	26	325-505	160	2.90

切线线夹选型表 (Specification of tangent set for ADSS cable)

产品规格 Type	规格 Type	适用缆径 Available Dia. of Cable (mm)	适用档距 Available Dia. of Span (m)
ADSS切线线夹 Tangent Clamp for ADSS	ACQ100/1110	9.0-11.1	100
	ACQ100/1330	11.2-13.3	100
	ACQ100/1550	13.4-15.5	100
ADSS单层 预绞丝切线线夹 Monolayer Helical rods Suspension Set for ADSS	ACD200/1010	9.7-10.1	200
	ACD200/1060	10.2-10.6	200
	ACD200/1110	10.7-11.1	200
	ACD200/1160	11.2-11.6	200
	ACD200/1170	11.7-11.7	200
	ACD200/1200	11.8-12.0	200
	ACD200/1270	12.1-12.7	200
	ACD200/1290	12.8-12.9	200
	ACD200/1360	13.0-13.6	200
	ACD200/1410	13.7-14.1	200
	ACD200/1430	14.2-14.3	200
ACD200/1450	14.4-14.5	200	
ACD200/1510	14.6-15.1	200	

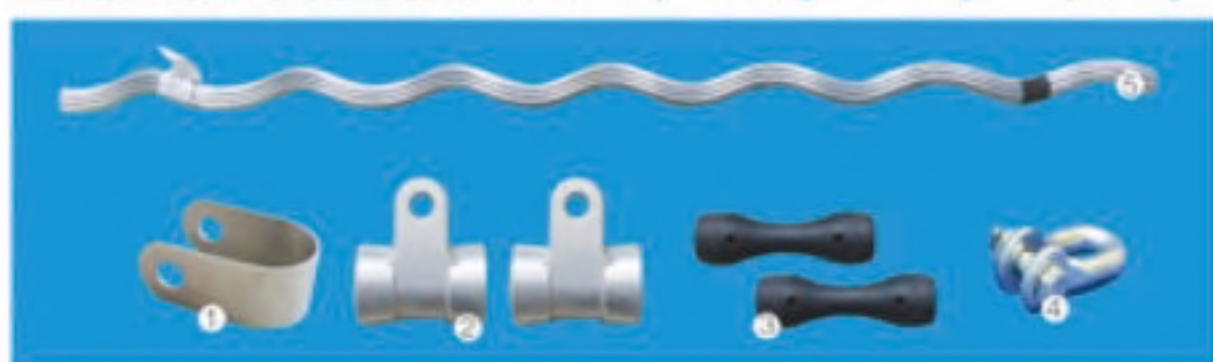
ADSS光缆用悬垂线夹 (Suspension set for ADSS cable)

产品用途及特点 (Usage and characteristics)

ADSS光缆用悬垂线夹有单层预绞丝和双层预绞丝两种设计，可根据实际需要选择不同的安装方式。单层预绞丝悬垂线夹用于200m-400m内档距的悬挂，双层预绞丝悬垂线夹一般用于大档距（1000m内）之间的悬挂。ADSS光缆悬垂线夹主要由铝合金预绞丝、悬挂头及连接件组成。

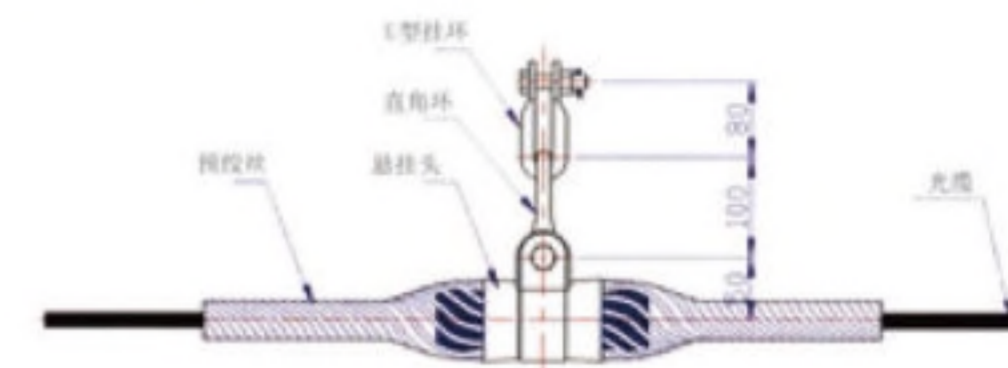
ADSS optical cable use suspension clamp has two kinds of design, single-layer helical armor rods and double-layer helical armor rods. Different installation methods could be selected according to actual requirement. Single-layer helical armor rods suspension clamp is used in hanging within distance of 200m-400m, double-layer helical armor rods suspension clamp is generally used in hanging with big distance (within 1000m). ADSS optical cable suspension clamp consist of aluminum alloy helical armor rods, suspension head and connecting piece.

单层预绞丝悬垂线夹通用配件图 (Currency fittings of single layer suspension set)



- | | |
|-----------|------------------|
| 1、U型卡 | U-clip |
| 2、悬垂夹 | Suspension Clamp |
| 3、橡胶垫 | Rubber pillow |
| 4、U型挂板和螺栓 | U-Clevis & bolt |
| 5、预绞丝 | Helical Rods |

产品组装示意图 (Sketch of Assembly)



单层预绞丝悬垂线夹 (Single layer suspension set)

单层预绞丝悬垂线夹产品型号规格 (Specification of Single layer Helical Rods Suspension Set)

ADSS光缆用单层预绞丝悬垂线夹选型表 (Specification of single layer suspension set for ADSS cable)

产品规格 Type	适用缆径 Available Dia. of Cable (mm)	预绞丝长度 Length of Preformed Rods (mm)	参考重量 Ref. Weight (kg)	适用档距 Available Dia. of Span (m)	通用配件
ACLD300/0960	9.0-9.6	1050	0.4	200-300	U-5 ZH-4
ACLD300/1010	9.7-10.1	1050	0.4	200-300	U-5 ZH-4
ACLD300/1060	10.2-10.6	1050	0.4	200-300	U-5 ZH-4
ACLD300/1110	10.7-11.1	1050	0.5	200-300	U-5 ZH-4
ACLD300/1160	11.2-11.6	1070	0.5	200-300	U-5 ZH-4
ACLD300/1200	11.7-12.0	1080	1.0	200-300	U-7 ZH-7
ACLD300/1270	12.1-12.7	1120	1.0	200-300	U-7 ZH-7
ACLD300/1290	12.8-12.9	1150	1.1	200-300	U-7 ZH-7
ACLD300/1360	13.0-13.6	1180	1.2	200-300	U-7 ZH-7
ACLD300/1410	13.7-14.1	1220	1.2	200-300	U-7 ZH-7
ACLD300/1430	14.2-14.3	1230	1.3	200-300	U-7 ZH-7
ACLD300/1450	14.4-14.5	1260	1.3	200-300	U-7 ZH-7
ACLD300/1510	14.6-15.1	1280	1.4	200-300	U-7 ZH-7
ACLD400/1200	11.7-12.0	1210	1.1	300-400	U-7 ZH-7
ACLD400/1270	12.1-12.7	1250	1.2	300-400	U-7 ZH-7
ACLD400/1290	12.8-12.9	1280	1.2	300-400	U-7 ZH-7
ACLD400/1360	13.0-13.6	1310	1.3	300-400	U-7 ZH-7
ACLD400/1410	13.7-14.1	1350	1.3	300-400	U-7 ZH-7
ACLD400/1430	14.2-14.3	1380	1.4	300-400	U-7 ZH-7
ACLD400/1450	14.4-14.5	1390	1.5	300-400	U-7 ZH-7
ACLD400/1510	14.6-15.1	1420	1.5	300-400	U-7 ZH-7